



## Listening is believing

Borrowing its punchy Kevlar® bass/midrange drive unit from B&W's legendary 800 Series, the CCM 818 in-ceiling speaker is designed to be used as an unobtrusive flush mount version of the CCM 817, and is designed for home theatre or 2-channel applications. The speaker's 8 inch driver is fitted at an angle of 12 degrees, thereby retaining some of the CCM 817's sound directionality.

## Technical Specification

<b>Technical features</b>	<b>Angled baffle</b> <b>Woven Kevlar® cone bass/midrange driver</b> <b>Nautilus™ tube-loaded tweeter</b>
<b>Description</b>	2-way in-ceiling/wall speaker system
<b>Drive units</b>	1x ø25mm (1 in) (black anodised) tube-loaded aluminium dome high-frequency 1x ø200mm (8 in) woven (blue) Kevlar® cone bass/midrange
<b>Frequency range</b>	-6dB at 40Hz and 50kHz
<b>Frequency response</b>	45Hz-22kHz ±3dB on reference axis
<b>Sensitivity</b>	90dB spl (2.83V, 1m)
<b>Nominal impedance</b>	8Ω (minimum 3.5Ω)
<b>Crossover frequency</b>	3.5kHz
<b>Recommended amplifier power</b>	150W continuous into 8Ω on unclipped programme
<b>Frame size</b>	Diameter: 280mm (11 in)
<b>Cut-out size</b>	Diameter: 254mm (10 in)
<b>Min depth req</b>	136mm (5.4 in) behind ceiling surface 14mm (0.6 in) in front of ceiling surface
<b>Net weight</b>	2.6kg (5.7lb)
<b>Finish</b>	Semi-matt white suitable for customising or pre-painting
<b>Accessories</b>	Pre-mount kit for new construction: PMK C8 Backbox: BB C8



# CCM 818

## Architectural and Engineering Specifications

The loudspeaker system shall be of the mono-amped 2-way type comprising of a single flush mountable circular enclosure, containing one 8in bass-mid driver with woven blue Kevlar cone and one offset mounted, Nautilus™ tube-loaded, 25mm black anodised aluminium dome tweeter.

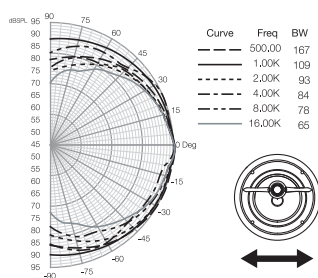
Performance specifications of a typical production unit shall meet or exceed the following:

Frequency response shall be 45 – 22kHz ± 3dB. Nominal impedance shall be 8 Ohm. Total power handling shall be 150W continuous into 8 Ohm on unclipped programme. Sensitivity measured with 2.83V at 1-metre distance on axis, mean averaged between 45 – 22kHz shall be 90dB.

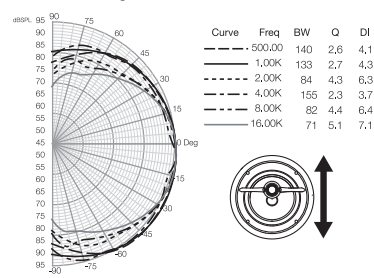
External dimensions shall be 280mm (11in) diameter, 136mm (5.4in) depth. Total weight shall be 2.6kg (5.7lb).

The loudspeaker system shall be the B&W CCM 818. No other system shall be acceptable unless the above combined performance are equalled or exceeded.

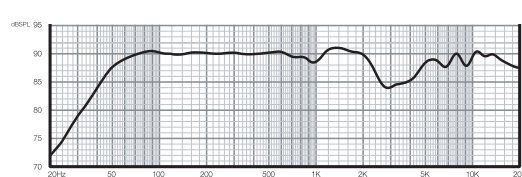
### Polar Response Horizontal



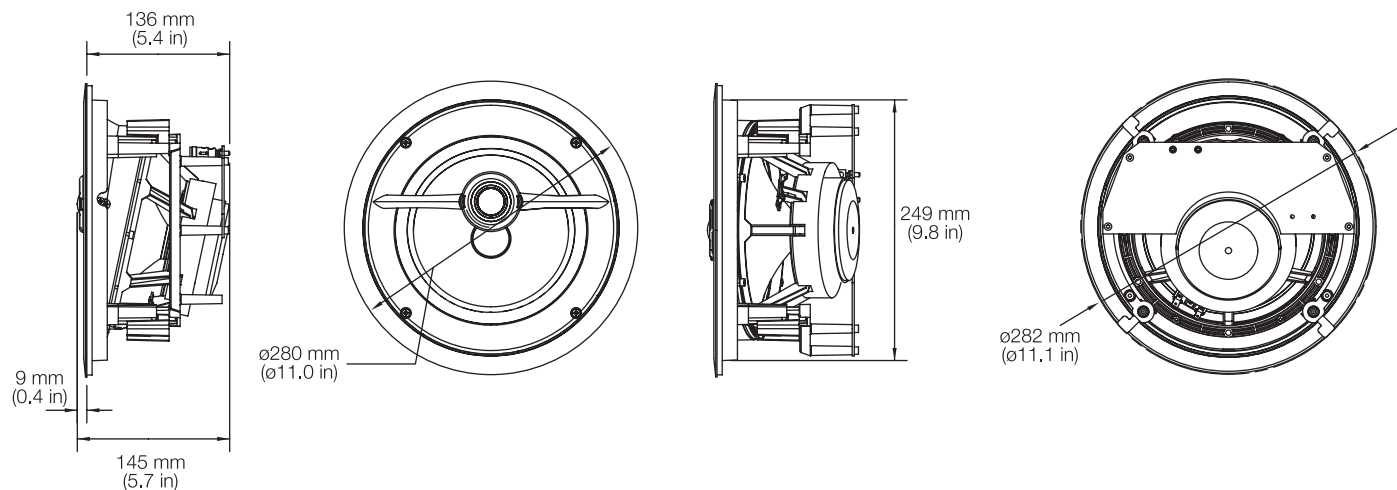
### Polar Response Vertical



### Frequency Response



### Dimensions



## Bowers & Wilkins

www.bowers-wilkins.com

Copyright © B&W Group Ltd. E & OE.  
 B&W Group Ltd reserves the right to amend details of the specifications without notice in line with technical developments.