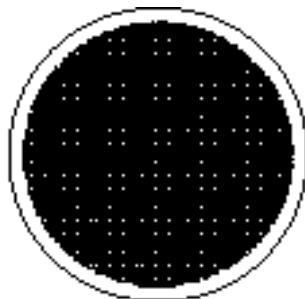


ACM60

SPEAKER INSTALLATION NOTES



L I S T E N A N D Y O U ' L L S E E

ACM60

Speaker Installation Notes

THESE NOTES MUST BE READ IN CONJUNCTION WITH THE CASA INSTALLATION MANUAL.

Unpacking

Check the contents:

- 2 x CASA Coaxial drive units with on-board amplifiers
- 8 x Drive unit fixing screws

Damping the wall/ceiling cavity

Loosely fill the section of the cavity with wadding. Fibreglass and mineral wool matting supplied for heat insulation are suitable, but not closed cell foam or expanded polystyrene. Check that there is no debris that may fall into the speaker (especially in ceiling mount situations).

IMPORTANT: YOU SHOULD CHECK THAT THE MATERIALS YOU USE MEET THE LOCAL FIRE AND BUILDING REGULATIONS.

Fitting (Figure 1)

Offer up the drive unit to the frame and attach the cables as described in the CASA Installation Manual. To avoid rattles, tie down loose cable near the speaker with clips, mastic or tape.

Feed the drive unit into the frame and using the screws provided (4 for each drive unit), secure it to the wall frame.

Before fitting the grille, check the operation of all the loudspeakers in the installation.

When you are satisfied that the installation is performing correctly, push all the grilles into the wall frames.

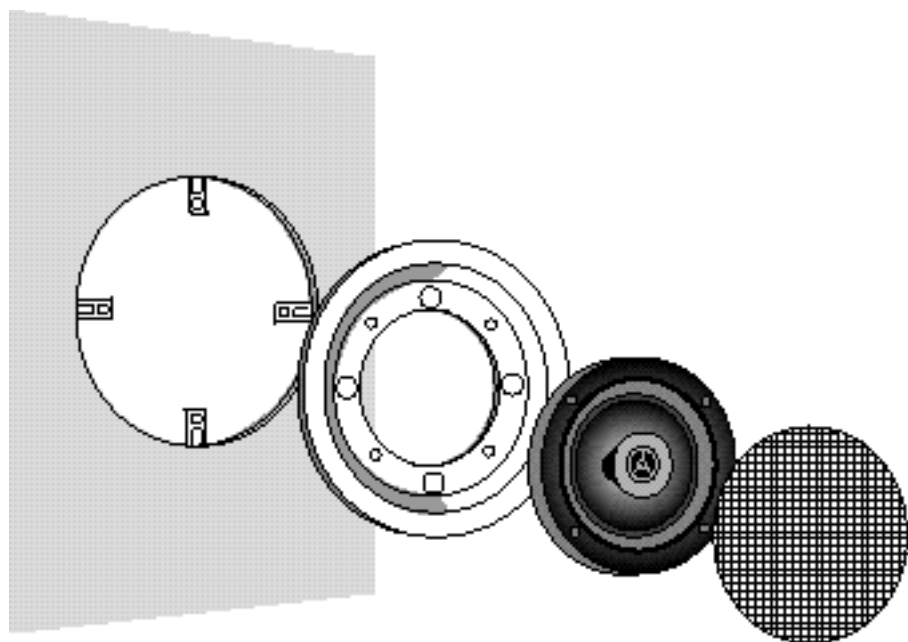
Avoid touching the drive units, especially the tweeter, as damage may result.

Customising

Decorate before the drive unit is fitted.

Do not paint the drive unit area. The drive unit should be removed if the frame/grille is to be re-decorated at a later date.

Figure 1



B&W Loudspeakers Ltd. reserves the right to amend details of the specification without notice in line with technical developments. Copyright © B&W Loudspeakers Ltd. Printed in England. B&W Loudspeakers Ltd, Meadow Road, Worthing, BN11 2RX, England Tel: +44 (0) 1903 524801 Fax: +44 (0) 1903 524725 B&W Loudspeakers of America, 54 Concord Street, North Reading, MA 01864-2699, USA Tel: (1978) 664 2870 Fax: (1978) 664 4109 <http://www.bwspeakers.com>



LISTEN AND YOU'LL SEE