



See nothing, hear everything

CCM 618 is a 2-way ceiling speaker featuring a 200mm (8 in) woven glass fibre cone bass/midrange driver and an offset, adjustable tilt Ultra-12 tweeter in a chassis incorporating simple and effective swing-out dog fixings. The larger bass/midrange driver of the CCM 618 provides improved low frequency performance and increased sound level capability. The tilting tweeter and three-way EQ switch of the CCM 618 offer directional adjustment and high frequency tonal options allowing the sound to be more tailored to the installation.

Technical Specification

Technical features	Three-position EQ switch Adjustable offset tilt Ultra-12 tweeter Swing-out dog fixings
Description	2-way in-ceiling speaker system
Drive units	1x ø25mm (1 in) Ultra-12 high-frequency 1x ø200mm (8 in) woven fibreglass cone mid/bass
Frequency range	-6dB at 35Hz and 22kHz
Frequency response	41Hz-20kHz ±3dB on reference axis
Sensitivity	90dB spl (2.83V, 1m)
Nominal impedance	8Ω (minimum 3.1Ω)
Crossover frequency	3.2kHz
Recommended amplifier power	20W - 150W continuous into 8Ω on unclipped programme
Frame size	Diameter: 280mm (11 in)
Cut-out size	Diameter: 254mm (10 in)
Min depth req	109mm (4.3 in) from ceiling surface
Net weight	1.7kg (3.8lb)
Finish	Semi-matt white suitable for customising or pre-painting
Accessories	Pre-mount kit for new construction (PMK c80)



CCM 618

Architectural and Engineering Specifications

The loudspeaker system shall be of the mono-amped 2-way type comprising of a single flush mountable circular enclosure containing one 8in bass-mid driver with woven glass fibre cone and one offset mounted, adjustable tilt, 1in Ultra-12 tweeter, with 3 position EQ switch.

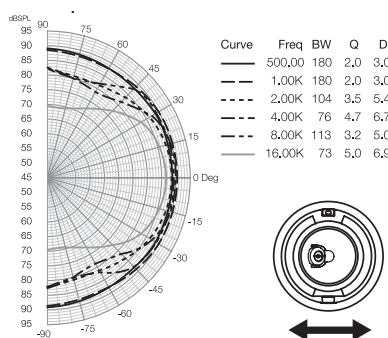
Performance specifications of a typical production unit shall meet or exceed the following:

Frequency response shall be 41 – 20kHz \pm 3dB. Nominal impedance shall be 8 Ohm. Total power handling shall be 150W continuous into 8 Ohm on unclipped programme. Sensitivity measured with 2.83V at 1-meter distance on axis, mean averaged between 41 – 20kHz shall be 90dB.

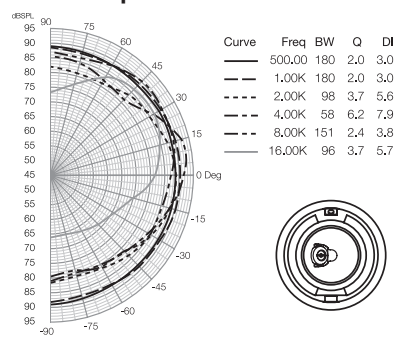
External dimensions shall be 280mm (11in) diameter x 113mm (4.5in) depth. Total weight shall be 1.7kg (3.8lb).

The loudspeaker system shall be the B&W CCM 618. No other system shall be acceptable unless the above combined performance are equalled or exceeded.

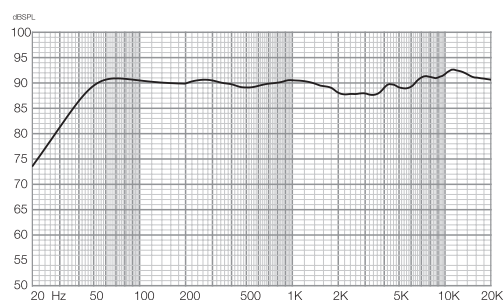
Polar Response Horizontal



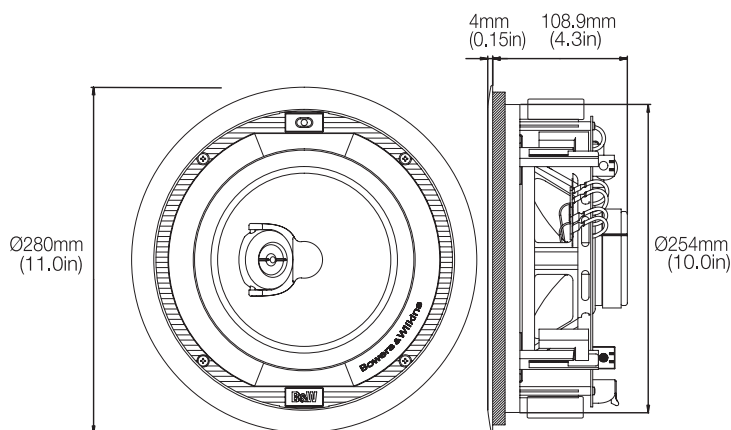
Polar Response Vertical



Frequency Response



Dimensions



Bowers & Wilkins

www.bowers-wilkins.com

Copyright © B&W Group Ltd. E & OE.
B&W Group Ltd reserves the right to amend details of the specifications without notice in line with technical developments.