



See nothing, hear everything

If three-way in-wall speakers are unusual, then one with the design and performance of the CWM 8180 is rare indeed. The CWM 8180 is a genuine high technology, high performance hi-fi speaker - it just happens to mount in a wall. Its driver line-up reads just like one of the 800 series: 200mm Rohacell® bass driver, 130mm Kevlar® cone FST™ midrange driver and 25mm Nautilus™ tube loaded aluminium dome tweeter - they give the CWM 8180 a real sense of musical authority and accuracy.

Technical Specification

Technical features	Audiophile 3-way in-wall speaker system Rohacell cone bass driver Woven Kevlar® FST™ midrange driver Nautilus™ tube-loaded tweeter
Description	3-way in-wall speaker system
Drive units	1x ø25mm (1 in) Nautilus™ tube loaded aluminium dome tweeter 1x ø130mm (5 in) woven Kevlar cone FST™ midrange 1x ø200mm (8 in) Rohacell cone bass
Frequency range	-6dB at 35Hz and 50kHz
Frequency response	45Hz-22kHz ±3dB on reference axis
Sensitivity	89dB spl (2.83V, 1m)
Nominal impedance	8Ω (minimum 5.0Ω)
Crossover frequency	400Hz, 3.5kHz
Recommended amplifier power	20 - 150W into 8Ω on unclipped programme
Frame size	524mm (20.6 in) x 294mm (11.6 in)
Cut-out size	485mm (19.1 in) x 255mm (10 in)
Min depth req	92mm (3.6 in) behind mounting surface
Net weight	8.3 kg (18.2lb)
Finish	Semi-matt white suitable for customising or pre-painting (paint mask included)
Accessories	Pre-mount kit for new construction (PMK DS8/8180) Back Box (BB DS8/8180)



CWM 8180

Architectual and Engineering Specifications

The loudspeaker system shall be of the mono-amped 3-way type comprising of a single flush mountable rectangular enclosure containing one 8in bass driver with Rohacell cone, one 5in woven Kevlar midrange cone and one 1in tube loaded aluminium dome tweeter.

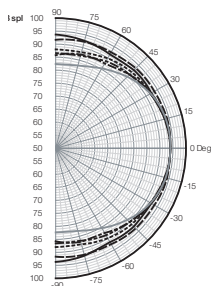
Performance specifications of a typical production unit shall meet or exceed the following:

Frequency response shall be 45 – 22kHz \pm 3dB. Nominal impedance shall be 8 Ohm. Total power handling shall be 150W continuous into 8 Ohm on unclipped programme. Sensitivity measured with 2.83V at 1-metre distance on axis, mean averaged between 45 – 22kHz shall be 89dB.

External dimensions shall be 524mm (20.6in) height x 294mm (11.6in) width x 113mm (4.5in) depth. Total weight shall be 8.3kg (18.2lb).

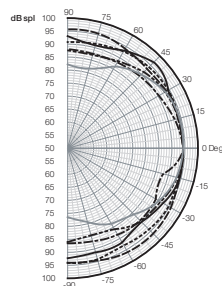
The loudspeaker system shall be the B&W CWM 8180. No other system shall be acceptable unless the above combined performance are equalled or exceeded.

Polar Response Horizontal



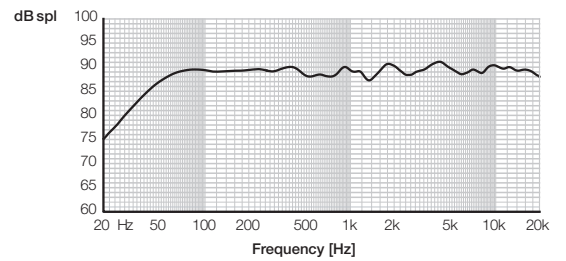
Curve	Freq	BW	Q	DI
—	500.00	180	2.0	3.0
- - -	1.00k	180	2.0	3.0
· · · · ·	2.00k	158	2.3	3.6
- - -	4.00k	113	3.2	5.0
- - -	8.00k	127	2.8	4.5
—	16.00k	96	3.7	5.7

Polar Response Vertical

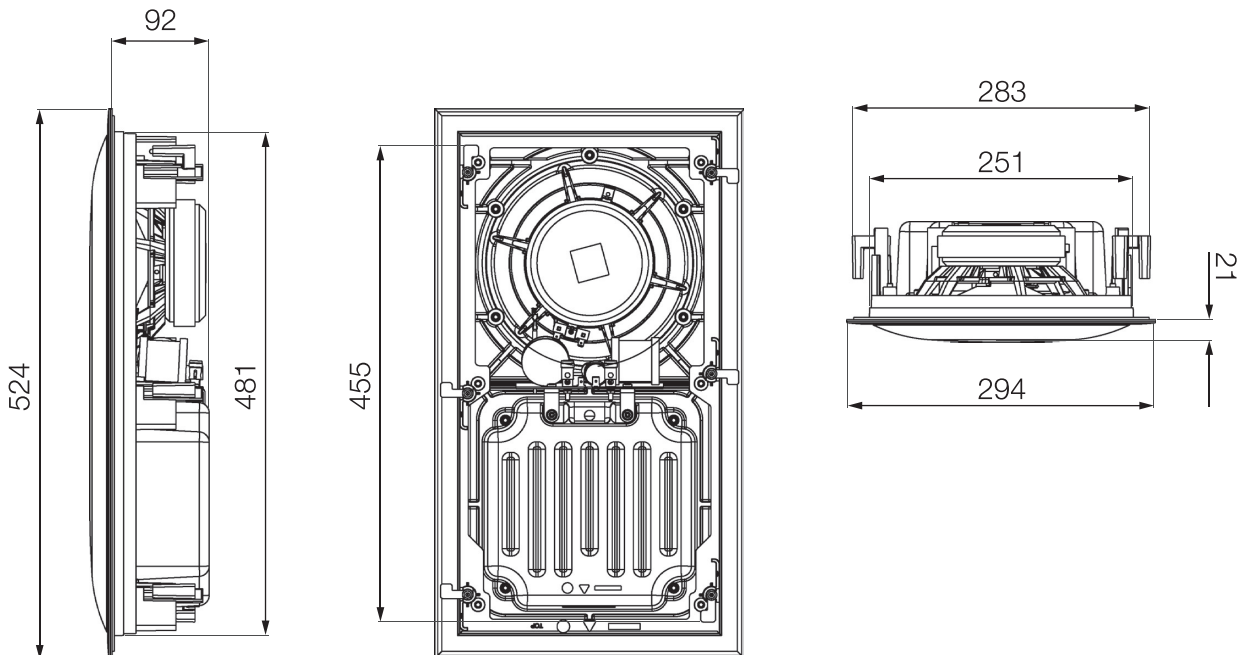


Curve	Freq	BW	Q	DI
—	500.00	180	2.0	3.0
- - -	1.00k	180	2.0	3.0
· · · · ·	2.00k	180	2.0	3.0
- - -	4.00k	73	4.9	6.9
- - -	8.00k	113	3.2	5.0
—	16.00k	89	4.0	6.1

Frequency Response



Dimensions



B&W Bowers & Wilkins

B&W Group Ltd
Dale Road
Worthing West Sussex
BN11 2BH England

T +44 (0) 1903 221800
F +44 (0) 1903 221801
info@bwgroup.com
www.bwspeakers.com

B&W Group (UK Sales)
T +44 1903 221 500
E uksales@bwgroup.com

B&W Group North America
T +1 978 664 2870
E marketing@bwgroupusa.com

B&W Group Asia Ltd
T +852 2 869 9916
E showroom@bwgroup.hk

Copyright © B&W Group Ltd. E & OE.

B&W Group Ltd reserves the right to amend details of the specifications without notice in line with technical developments.