

**B&W** Bowers & Wilkins

*Signature* **SCM**

Owner's Manual  
and Warranty



Figure 1

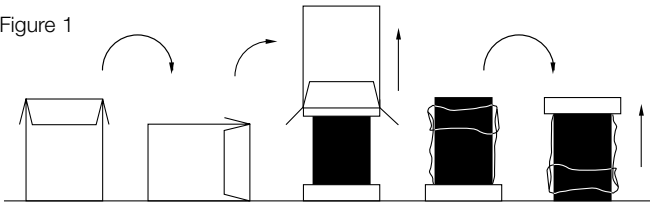


Figure 2

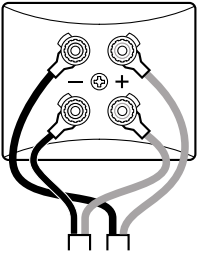


Figure 3a

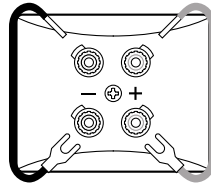


Figure 3b

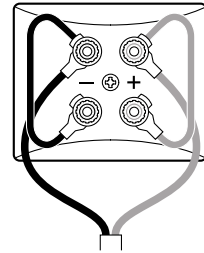


Figure 4a

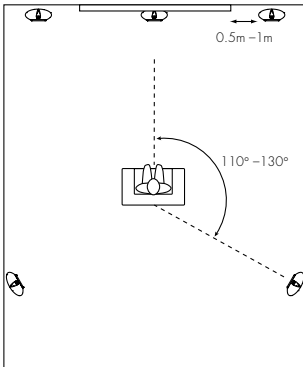


Figure 4b

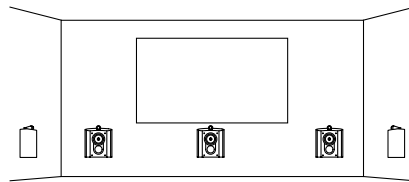


Figure 5a

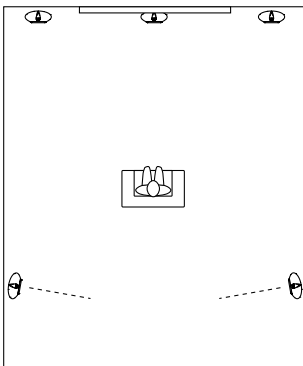


Figure 5b

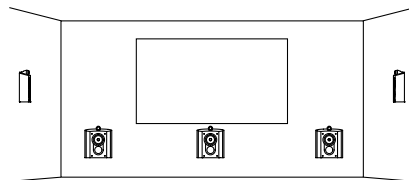


Figure 6

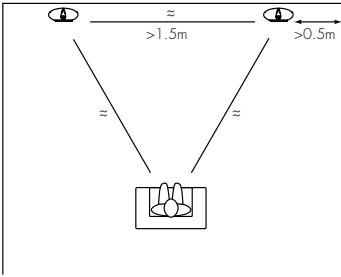


Figure 7

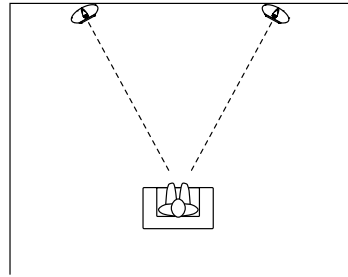


Figure 8a

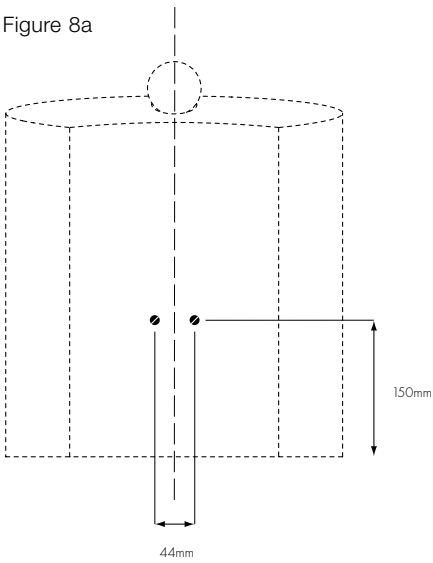


Figure 8b

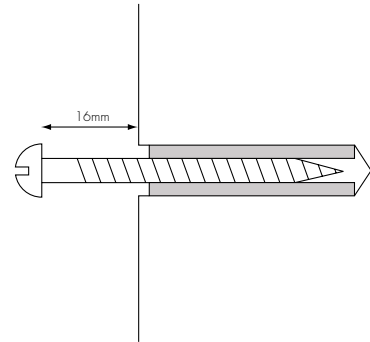


Figure 9a

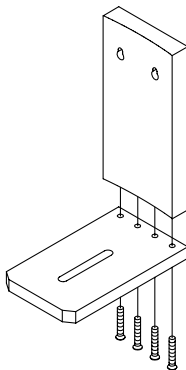
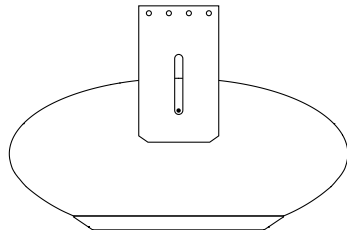


Figure 9b



# Contents

## **English**

Limited Warranty.....	2
Owner's Manual.....	2

## **Français**

Garantie limitée.....	4
Manuel d'utilisation .....	4

## **Deutsch**

Beschränkte Garantie .....	7
Bedienungsanleitung.....	7

## **Español**

Garantía limitada.....	10
Manual de instrucciones .....	10

## **Português**

Garantia limitada.....	13
Manual do utilizador....	13

## **Italiano**

Garanzia limitata .....	15
Manuale di istruzioni ...	16

## **Nederlands**

Beperkte garantie .....	18
Handleiding .....	18

## **Dansk**

Begrænset garanti .....	21
Bruksanvisning .....	21

## **Svenska**

Begränsad garanti .....	23
Bruksanvisning .....	23

## **Ελληνικά**

Περιορισμένη εγγύηση .....	25
Οδηγίες Χρήσεως ....	26

## **Русский**

Ограниченная гарантия.....	29
Руководство по эксплуатации .....	29

## **日本語**

有限保証 .....	32
取扱説明書 .....	32

## **中文**

有限擔保 .....	34
用戶說明書 .....	34

# English

## Limited Warranty

Dear customer,

Welcome to B&W.

This product has been designed and manufactured to the highest quality standards. However, if something does go wrong with this product, B&W Loudspeakers and its national distributors warrant free of charge labour (exclusion may apply) and replacement parts in any country served by an official B&W distributor.

This limited warranty is valid for a period of five years from the date of purchase or two years for electronics including amplified loudspeakers.

### Terms and Conditions

- 1 The warranty is limited to the repair of the equipment. Neither transportation, nor any other costs, nor any risk for removal, transportation and installation of products is covered by this warranty.
- 2 This warranty is only valid for the original owner. It is not transferable.
- 3 This warranty will not be applicable in cases other than defects in materials and/or workmanship at the time of purchase and will not be applicable:
  - a. for damages caused by incorrect installation, connection or packing,
  - b. for damages caused by any use other than correct use described in the user manual, negligence, modifications, or use of parts that are not made or authorised by B&W,
  - c. for damages caused by faulty or unsuitable ancillary equipment,
  - d. for damages caused by accidents, lightning, water, fire heat, war, public disturbances or any other cause beyond the reasonable control of B&W and its appointed distributors,
  - e. for products whose serial number has been altered, deleted, removed or made illegible,
  - f. if repairs or modifications have been executed by an unauthorised person.
- 4 This guarantee complements any national/regional law obligations of dealers or national distributors and does not affect your statutory rights as a customer.

### How to claim repairs under warranty

Should service be required, please follow the following procedure:

- 1 If the equipment is being used in the country of purchase, you should contact the B&W authorised dealer from whom the equipment was purchased.
- 2 If the equipment is being used outside the country of purchase, you should contact B&W national distributor in the country of residence who will advise

where the equipment can be serviced. You can call B&W in the UK or visit our web site to get the contact details of your local distributor.

To validate your warranty, you will need to produce this warranty booklet completed and stamped by your dealer on the date of purchase. Alternatively, you will need the original sales invoice or other proof of ownership and date of purchase.

## Owner's manual

### Introduction

Thank you for choosing Bowers and Wilkins.

Your Signature™ Series speakers are precision transducers incorporating many innovative techniques unique to B&W and capable of reproducing recorded sound to the highest standards. So that they may perform at their best, it is essential to take time and care with the installation process. In particular, you must regard the listening room as an extension of the speaker. The acoustic character of the room can have a profound effect on the final sound quality.

The Signature™SCM is a shallow speaker designed for on-wall mounting, primarily for surround channel use in conjunction with other Signature™ Series speakers.

However, it may be used wherever a shallow speaker is required, but bearing in mind the comments below on magnetic shielding.

B&W maintains a network of dedicated distributors in over 60 countries who will be able to help you should you have any problems your dealer cannot resolve.

### Unpacking (figure 1)

- Fold the carton flaps right back and invert the carton and contents.
- Lift the carton clear of the contents.
- Remove the inner packing from the product.

We suggest you retain the packing for future use.

Check in the carton for:

- 2 terminal link cables
- 1 cleaning cloth
- Warranty booklet
- 1 aluminium wall plate
- 1 aluminium support plate

Polythene bag containing:

- 4 M5 socket screws
- 1 M8 socket screw
- 3mm Allen key
- 6mm Allen key

### Connections

All connections should be made with the equipment switched off.

There are 2 pairs of terminals at the back of the speaker to permit bi-wiring. The lower pair feed the bass/midrange drive unit and the upper pair feed the tweeter.

The terminals are insulated to prevent any likelihood of electrical shock, even when the speakers are used with the highest powered amplifiers, and accept a variety of cable terminations to suit most applications.

Bi-wiring is the preferred method of connection and involves the use of separate cables from the amplifier to each pair of terminals. The separation of the signal paths improves the resolution of low-level detail and allows the user to optimise the type of cable to the frequency range of use. (figure 2)

Should you not want to bi-wire, perhaps during the initial set-up procedure or because you do not want to see a multitude of cables in the room, short cables are provided to link both positive and both negative speaker terminals together. (figure 3)

When using the links, insert the spade into the slot in the side of one terminal and the crimped pin into the round side hole in the other. There is enough clearance to insert a spade connector from the amplifier into the same terminal as the crimped pin.

Ensure each positive terminal on the speaker (coloured red) is connected to the positive output terminal of the amplifier and negative (coloured black) to negative. Incorrect connection can result in poor imaging and loss of bass.

When bi-wiring, do not use the linking cables. Take extra care with the polarity of the connections as incorrect connection can also impair the frequency response through the crossover and, if the links are left in place, may cause damage to the amplifier by shorting its output terminals.

### Positioning

Ascertain the optimum position for the speaker before fixing the mounting bracket to the wall.

### Stray magnetic fields

The speaker drive units create stray magnetic fields that extend beyond the boundaries of the cabinet. We recommend you keep magnetically sensitive articles (television and computer screens, computer discs, audio and video tapes, swipe cards and the like) at least 0.5m from the speaker.

For this reason, the Signature™SCM is only suitable for use as a centre speaker when using either projection, plasma or LCD screens which are not affected by stray magnetic fields.

### Home Theatre

#### As a surround speaker:

There are two main ways of presenting surround information. Older movie soundtracks, where the surround information was recorded on only one channel, benefited from a very ambient, all-enveloping presentation from the surround speakers, with little attempt to portray

precise imaging to the sides and rear. More modern 5.1 channel recordings of both movies and audio have discrete left and right surround channels, which can convey more precise imaging. However, images to the sides and rear are not generally as precise as can be obtained at the front. Sustained tones can be more readily positioned between the speakers than percussive sounds, which have a tendency to collapse towards the speakers. It is also difficult to maintain image position for all listeners if the listening area is a significant proportion of the area between the five speakers. Image stability depends on getting the right balance between all five speakers and the 'hot spot' effect is even more marked than for 2-channel audio.

With this in mind, your success in recreating the producer's intentions for the surround field will depend to a great extent on domestic constraints – how free you are to position the speakers in an ideal position and how large an audience you want to cater for, relative to the size of the room.

There is no industry standard for the angle subtended by the surround speakers at the listening position, but most recordings are made with the surround speakers positioned between 110° and 130° from front centre. Place the speakers against the wall within this range of angles, initially on a temporary support that raises the tweeters approximately to ear height. This will define whether you position the speakers on the side or rear wall. Point the speakers towards the centre of the listening area. (figure 4) The wall bracket will allow the speaker to be rotated horizontally up to 45°. If you listen in high-backed chairs, or if the speakers are otherwise obscured, it may be advantageous to raise them higher. Satisfactory results can be obtained with them up to approximately 60cm (2 feet) above ear height.

With all speakers positioned for initial listening tests, listen to a wide variety of programme material – 5.1 channel audio, action and small scale movies – and sit in all likely listening positions. Pay particular attention to the surround information and the stability of the images.

If the imaging is unsatisfactory, for example if it becomes too one sided at the extremes of the listening area, or if you cannot place the speakers within the preferred range, you may be better off aiming for a more diffuse sound field. This can give more acceptable results in difficult situations. Try changing the angle of the speakers so they point away from the listening area. It may also be advantageous to raise the speakers well above ear height. (figure 5)

Once you have found the optimum position, fix the speaker permanently in position (see below).

#### **As a front centre speaker:**

If using a projection television with an acoustically transparent screen, place the speaker behind the centre of the screen. Otherwise position it directly above or below the screen, whichever is closest to ear level.

#### **As a front left and right speaker:**

Space the speaker between 0.5m (20 in) and 1m (40 in) from the side of the screen.

If the centre speaker is behind an acoustically transparent screen, position the left and right front speaker as nearly as possible at the same height. If the centre speaker is above or below the screen, the height of the left and right speaker should be between the height of the centre speaker and the centre of the screen. Adjust the angle of the speakers to achieve the most realistic and stable image.

For greatest realism in home theatre installations it is important to balance the speakers and adjust the acoustic image to match the size of the screen. With smaller screens it may be more realistic to have the left and right speakers closer together than you might for audio alone.

Adjust the levels of the three front speakers to get a smooth transition of sounds as they pan across the screen. Adjust the level of the surround speakers so that, except for special effects, your attention is not unduly attracted to them.

Sit in all likely listening positions when deciding on the optimum levels.

Consult your decoder manual for further information on how to set the levels.

#### **2-Channel Audio**

Mount the speakers so that the tweeters are approximately at ear level.

As an initial guide: (figure 6)

- Position the speakers and the centre of the listening area approximately at the corners of an equilateral triangle.
- Keep the speakers at least 1.5m apart to maintain left-right separation.

If the central image is poor, try moving the speakers closer together or toeing them in so they point at or just in front of the listeners. (figure 7)

#### **Fine Tuning**

Before fine tuning, double check that all the connections in the installation are correct and secure.

If the sound is too harsh, increase the amount of soft furnishing in the room (for example use heavier curtains), or reduce it if the sound is dull and lifeless.

Test for flutter echoes by clapping your hands and listening for rapid repetitions. Reduce them by the use of irregular shaped surfaces such as bookshelves and large pieces of furniture.

For the most discerning listening, remove the cloth covered grille as described below in the section 'Aftercare'. The tweeter is very delicate and its grille should be left in position for protection. For this reason the grille retaining ring is designed to provide the optimum acoustic environment for the unit and the response is less smooth with the grille removed.

#### **Running-in period**

The performance of the speaker will change subtly during the initial listening period. If the speaker has been stored in a cold environment, the damping compounds and suspension materials of the drive units will take some time to recover their correct mechanical properties. The drive unit suspensions will also loosen up during the first hours of use. The time taken for the speaker to achieve its intended performance will vary depending on previous storage conditions and how it is used. As a guide, allow up to a week for the temperature effects to stabilise and 60 hours of average use for the mechanical parts to attain their intended design characteristics.

#### **Assembling and fixing the bracket**

Screws and plugs for fitting to the wall are not supplied. Use round head screws with a maximum body diameter of 5.0mm (0.20 in) and a maximum head diameter of 11mm (0.4 in).

Drill and plug two holes in the wall, 150mm (5.9 in) above where the bottom of the speaker cabinet will be and horizontally spaced by 44mm (1.73 in). (figure 8a) Take special care, especially if fitting into drywall panels, that the screws and plugs can support the combined weight of the speaker and bracket. Insert the screws into the wall leaving the head 16mm (0.6 in) clear of the surface. (figure 8b)

Assemble the support plate to the wall plate using the four M5 screws and the 4mm Allen key. (figure 9a)

Feed the M8 screw through the slot in the support plate into the threaded insert in the bottom panel of the enclosure, using the 6mm Allen key. (figure 9b) Initially, position the screw at the end of the slot furthest from the wall plate so that the keyhole slots are clearly visible.

Connect the cables to the speaker and hook the wall plate over the screws in the wall.

Adjust the speaker to be as close to the wall as possible, commensurate with the angle of rotation.

Should you need to adjust the vertical angle of the speaker, we recommend you use an OmniMount 30.0 Series wall bracket in place of the one supplied. It may be fitted to the additional 4 threaded inserts in the base of the speaker.

#### **Ancillary equipment**

Speakers of this ability deserve signals of the highest quality. Choose your electronic equipment and interconnecting cables with care. We can give guidance on what to look for when choosing ancillary equipment, but cannot recommend specific items. The standards of such products are improving all the time and your dealer will be able to demonstrate a variety of suitable up-to-date products.

In the specification we recommend a range of amplifier powers. The higher figure is defined by the power handling capability of

the speaker. When calculating the power handling, it is assumed that the amplifier is not run into clipping, which distorts the frequency power spectrum of the signal, and that the signal is normal programme material. Test tones from oscillators and the like are not applicable. The lower figure is the minimum we consider necessary to achieve reasonable listening levels without audible distortion in the smaller room (less than 50 m3 or 1800 cu ft). The higher the power you use, the less likely you are to experience amplifier clipping. You can often tell how good an amplifier is at driving complex speaker loads by looking at its power rating into both 4Ω and 8Ω loads. The nearer the ratio is to 2:1 the better, as it indicates a good current capability.

In order to reduce the effect the cable has on the frequency response of the speaker to inaudible levels, the impedance of the cable at all frequencies (measuring both positive and negative conductors in series) should be kept as low as possible and certainly below 0.1Ω. At low frequencies, the DC resistance of the cable is the dominant factor and you should choose a gauge of wire sufficient to achieve the impedance requirements over the length of cable you need to use. At mid and high frequencies the inductive component of the impedance can dominate the DC resistance. This and other properties influenced by the detailed construction of the cable become important. Ask your dealer for advice on the best cable for your needs.

## Aftercare

The cabinet surface usually only requires dusting. If you wish to use an aerosol cleaner, remove the grille first by gently pulling it away from the cabinet. Spray onto the cleaning cloth, not directly onto the cabinet. The grille fabric may be cleaned with a normal clothes brush whilst the grille is detached from the cabinet.

Avoid touching the drive unit diaphragms, especially the tweeter, as damage may result.

# Français

## Garantie limitée

Cher Client,

Bienvenue à B&W.

Ce produit a été conçu et fabriqué en vertu des normes de qualité les plus rigoureuses. Toutefois, en cas de problème, B&W Loudspeakers et ses distributeurs nationaux garantissent une main d'œuvre (exclusions possibles) et des pièces de rechange gratuites dans tout pays desservi par un distributeur agréé de B&W.

Cette garantie limitée est valide pour une période de cinq ans à compter de la date d'achat ou une période de deux ans pour les composants électroniques, y compris les haut-parleurs amplifiés.

### Conditions

- 1 La garantie est limitée à la réparation de l'équipement. Les frais de transport ou autres, les risques associés à l'enlèvement, au transport et à l'installation des produits ne sont pas couverts par cette garantie.
- 2 La garantie est exclusivement réservée au propriétaire d'origine et ne peut pas être transférée.
- 3 Cette garantie ne s'applique qu'aux produits faisant l'objet de vices de matériaux et/ou de construction au moment de l'achat et ne sera pas applicable dans les cas suivants :
  - a détériorations entraînées par une installation, connexion ou un emballage incorrect,
  - b détériorations entraînées par un usage autre que l'usage correct décrit dans le manuel de l'utilisateur, la négligence, des modifications ou l'usage de pièces qui ne sont pas fabriquées ou agréées par B&W,
  - c détériorations entraînées par un équipement auxiliaire défectueux ou qui ne convient pas,
  - d détériorations résultant de : accidents, foudre, eau, chaleur, guerre, troubles de l'ordre public ou autre cause ne relevant pas du contrôle raisonnable de B&W ou de ses distributeurs agréés,
  - e les produits dont le numéro de série a été modifié, effacé, éliminé ou rendu illisible,
  - f les produits qui ont été réparés ou modifiés par une personne non autorisée.
- 4 Cette garantie vient en complément à toute obligation juridique nationale / régionale des revendeurs ou distributeurs nationaux et n'affecte pas vos droits statutaires en tant que client.

### Comment faire une réclamation en vertu de la garantie

Veillez respecter la procédure ci-dessous, si vous souhaitez faire une réclamation sous garantie :

- 1 Si l'équipement est utilisé dans le pays d'achat, veuillez contacter le distributeur agréé de B&W qui a vendu l'équipement.
- 2 Si l'équipement est utilisé dans un pays autre que le pays d'achat, veuillez contacter le distributeur national B&W du pays de résidence, qui vous indiquera où vous pouvez faire réparer l'équipement. Vous pouvez appeler B&W au Royaume-Uni ou consulter notre site Web pour obtenir les coordonnées de votre distributeur local.

Afin de valider votre garantie, vous devrez présenter ce livret de garantie qui aura été rempli et tamponné par votre revendeur le jour de l'achat. En l'absence de ce livret, vous devrez présenter l'original de la facture commerciale ou une autre preuve d'achat et de la date d'achat.

# Manuel d'utilisation

## Introduction

Nous vous remercions d'avoir choisi Bowers and Wilkins.

Vos enceintes acoustiques de la série Signature™ sont des transducteurs de précision, comprenant de nombreuses techniques innovantes, uniques à B&W. Elles sont capables de reproduire vos enregistrements au niveau de qualité le plus élevé. Pour obtenir les meilleures performances, il est essentiel de consacrer le temps et l'attention nécessaires à leur installation. En premier lieu, vous ne devez jamais oublier que la salle d'écoute est une extension acoustique des enceintes. Le tempérament acoustique de la salle peut donc avoir une influence profonde sur la qualité sonore finale.

La Signature™SCM est une enceinte peu profonde, conçue pour être posée contre un mur. Elle est destinée, à l'origine, à la reproduction des informations d'ambiances d'une installation "Surround" équipée d'autres enceintes de la série "Signature™". Elle peut être utilisée, toutefois, en tant qu'enceinte principale lorsque la profondeur disponible n'est pas très importante. Dans ce cas, il suffira de garder à l'esprit les conseils que nous formulons plus loin quant à l'émission de champs magnétiques parasites.

B&W a constitué un réseau de distributeurs dans plus de 60 pays. Ils sont en mesure de vous assister au cas où votre revendeur ne pourrait vous aider.

## Deballage (figure 1)

- Repliez complètement les abattants puis retournez le carton avec son contenu.
- Soulevez le carton seul.
- Retirez l'emballage intérieur.

Nous vous suggérons de conserver cet emballage pour une prochaine utilisation.

Contrôlez le contenu du carton :

- 2 câbles de pontage
- 1 tissu de nettoyage
- Carnet de garantie
- 1 plaque de fixation murale en aluminium
- 1 plaque support en aluminium
- Sac en polyéthylène contenant :
  - 4 Vis M5
  - 1 Vis M8
  - Clé Allen de 3 mm
  - Clé Allen de 6 mm

## Connexions

Toutes les connexions doivent être effectuées lorsque les appareils électroniques sont éteints.

Vous trouverez deux paires de bornes situées au dos de l'enceinte. Elles autorisent le bicâblage. La paire de bornes inférieure est raccordée au médium/grave ; la paire supérieure est raccordée au tweeter.

Les bornes sont isolées afin d'éviter tout risque électrique, même si les enceintes sont utilisées avec des amplificateurs de forte puissance. Elles acceptent la majorité des câbles de liaison.

Le bi-câblage est la méthode de connexion la plus recommandée. Elle nécessite l'utilisation de câbles séparés reliant l'amplificateur à chaque paire de bornes. La séparation totale du trajet emprunté par le signal pour alimenter les différentes voies améliore la résolution des micro informations et permet à l'utilisateur de choisir le type de câble le mieux adapté à la gamme de fréquences considérée (figure 2).

Si vous n'adoptez pas le bi-câblage durant la procédure de mise en place ou parce que vous ne désirez pas voir une multitude de câbles dans votre pièce, nous vous recommandons de relier les deux bornes positives entre elles par des fils aussi courts que possible. Vous procéderez de même pour les deux bornes négatives (figure 3).

Lorsque vous utilisez les câbles de pontage livrés avec les enceintes, insérez la fourche dans la fente latérale d'une borne et la cosse sertie dans le trou rond latéral de l'autre. Il reste assez d'espace libre dans la borne recevant la pointe sertie, pour insérer une cosse ouverte, soudée au câble de liaison à l'amplificateur.

Assurez-vous que chaque borne positive de l'enceinte (de couleur rouge) est connectée à la borne positive de l'amplificateur, de même pour les négatives (de couleur noire). Une mauvaise connexion peut entraîner un appauvrissement de l'image sonore et une perte de grave.

En cas de bi-câblage, n'utilisez pas les câbles de pontage. Soyez très attentif à la polarité, une connexion incorrecte peut non seulement altérer la réponse en fréquence

à travers le filtre de médium/grave, mais aussi endommager l'amplificateur par court-circuit, en cas de raccordement simultané avec les câbles de pontage.

## Positionnement

Assurez-vous que l'emplacement de l'enceinte est optimal, avant de fixer le support d'installation murale.

## Champs magnétiques parasites

Les moteurs de haut-parleurs émettent un champ magnétique parasite qui rayonne au-delà des limites de l'enceinte acoustique. Nous vous recommandons d'éloigner les appareils sensibles à ce type de rayonnements (téléviseurs et moniteurs informatiques, disquettes informatiques, bandes magnétiques audio ou cassettes vidéo, cartes à puces etc.) à plus de 0,5 m du coffret de l'enceinte.

Le Signature™SCM ne peut être utilisé, en tant qu'enceinte centrale, qu'avec un projecteur vidéo, un écran plasma ou LCD, insensibles aux rayonnements magnétiques.

## Home cinéma

### Utilisation comme enceintes d'ambiances

Il existe deux façons de reproduire les ambiances. Le son des films anciens, dont les ambiances et effets ne sont enregistrés que sur un seul canal, doit être reproduit de manière indirecte et aussi enveloppante que possible. Compte tenu du principe de codage sonore, il ne faudra jamais espérer obtenir une image précise à l'arrière et sur les côtés. Les films et enregistrements sonores plus modernes à 5.1 canaux comportent des informations indépendantes sur les canaux d'ambiances gauche et droit, pouvant produire une spatialisation plus naturelle ; cependant les images sonores produites sur les côtés et à l'arrière restent toujours moins précises que celles que l'on peut obtenir à l'avant. Les sons longs et entretenus peuvent être localisés avec davantage de précision entre les enceintes que les sons percussifs qui ont tendance à se localiser dans les hauts parleurs eux-mêmes. Il est également difficile de maintenir une image sonore équivalente pour l'ensemble des spectateurs, si la zone d'écoute représente une part importante de l'espace situé entre les cinq enceintes. La stabilité de l'image sonore résulte de l'obtention d'une balance convenable entre les cinq enceintes acoustiques ; la position d'écoute idéale est donc encore plus précise que dans une installation stéréophonique à deux canaux.

Ne perdez pas de vue que la reproduction convaincante et fidèle des intentions du producteur du film en matière de champ sonore et d'ambiances dépend, pour une grande part des contraintes domestiques, de votre liberté de placer vos enceintes aux endroits les plus appropriés et de l'importance de la zone d'écoute que vous voulez couvrir par rapport aux dimensions de la pièce.

Il n'existe pas de normes précises indiquant l'angle formé par les enceintes d'ambiances et la position d'écoute ; cependant un très grand nombre

d'enregistrements sont réalisés à partir d'enceintes "Surround" disposées entre 110° et 130° de part et d'autre de la voie centrale. Nous vous conseillons d'installer provisoirement les enceintes d'ambiances, en respectant cette ouverture, sur un support temporaire posé contre la paroi, les tweeters étant placés approximativement à hauteur d'oreille ; cela vous permettra de définir si vous choisissez de les installer définitivement contre les parois latérales ou le mur arrière. Dirigez-les vers le centre de la zone d'écoute (figure 4). Le support mural permettra d'orienter les enceintes par rotation horizontale jusqu'à 45°. Si vous écoutez assis dans un fauteuil dont le dossier est très haut, ou si les haut parleurs risquent d'être partiellement occultés, il peut être avantageux de les surélever. Des résultats satisfaisants peuvent être obtenus jusqu'à 60 cm au-dessus des oreilles.

Lorsque les enceintes sont en place pour les premiers tests d'essais, nous vous recommandons d'écouter une très grande variété de sujets différents : enregistrements multicanaux 5.1 – films d'actions – courts extraits cinématographiques en essayant chaque position d'écoute envisageable. Portez une attention particulière aux informations d'ambiances et à la stabilité des images sonores.

Si vous n'êtes pas satisfaits de l'équilibre de la scène sonore, par exemple si elle a tendance à se localiser fortement vers un côté de la zone d'écoute ou si vous ne pouvez mettre en place les enceintes aux endroits souhaités, il serait préférable que vous les disposiez de manière à obtenir un champ sonore aussi indirect et diffus que possible ; ce choix procurera de biens meilleurs résultats dans les situations délicates. Vous pouvez également essayer de modifier l'angle des enceintes en le pointant assez nettement en dehors de la zone d'écoute ; il peut être également avantageux de placer les enceintes largement au-dessus du niveau des oreilles (figure 5).

Dés que vous aurez déterminé la position optimale, bloquez définitivement les enceintes (voir plus loin).

### Utilisation comme enceinte centrale

Si vous utilisez un écran de projection acoustiquement transparent, disposez votre enceinte derrière lui et bien au centre, sinon placez-la directement au-dessous ou au-dessus, la face avant alignée sur l'écran et toujours au plus près de la hauteur des oreilles.

### Utilisation comme enceinte centrale gauche et droite

Eloignez l'enceinte de 0,5 à 1 mètre du bord de l'écran.

Si l'enceinte centrale se trouve au-dessus ou en-dessous de l'écran, la hauteur des enceintes gauche et droite sera choisie à mi-distance entre la hauteur de l'enceinte centrale et le centre de l'écran. Ajustez l'angle formé par les enceintes pour obtenir l'image sonore la plus réaliste et la plus stable.



Pour améliorer le réalisme d'une installation de « home cinéma », il est essentiel de parvenir à une harmonie naturelle entre la taille de l'image sonore procurée par les enceintes et la taille de l'écran. Lorsque ce dernier est de dimensions réduites, le résultat est plus convaincant lorsque les enceintes sont moins écartées que pour l'écoute musicale en stéréophonie habituelle.

Réglez le niveau des trois enceintes frontales de manière à obtenir une transition progressive et régulière des sons prévus pour se déplacer de façon panoramique, d'une extrémité à l'autre. Réglez le niveau des enceintes d'ambiances pour que, sauf cas d'effets spéciaux, votre attention ne puisse être attirée par elles.

Essayez toutes les places d'écoute préférentielles avant de décider des réglages définitifs.

Consultez le mode d'emploi de votre décodeur ; il vous expliquera comment procéder aux différents réglages de niveaux.

### **Stéréophonie à deux canaux**

Installez les enceintes de façon à placer les tweeters approximativement à hauteur d'oreilles.

Conseils préliminaires (figure 6) :

- Disposez les enceintes acoustiques ainsi que le centre de la zone d'écoute approximativement aux trois angles d'un triangle équilatéral.
- Ecartez vos enceintes d'au moins 1,5 m pour obtenir une séparation gauche/droite suffisante.

Si l'image centrale est vraiment pauvre, rapprochez les deux enceintes l'une de l'autre ou orientez-les vers un point situé juste en avant de l'auditeur (figure 7).

### **Réglages fins**

Avant de procéder aux réglages fins, vérifiez que toutes les connexions de l'installation sont correctes et bien serrées.

Si le son est trop agressif, augmentez la quantité de matériaux absorbants dans la pièce (par exemple, utilisez des rideaux plus épais), ou réduisez-la si le son est sourd et sans vie.

Vérifiez la présence d'échos brefs (flutter echo) en tapant dans vos mains et écoutez s'il se produit de très rapides et très courts échos. Réduisez-le en utilisant des surfaces irrégulières et accidentées comme une bibliothèque ou de grands rideaux.

Pour obtenir une restitution plus transparente et précise, nous vous recommandons de retirer les grilles de protection du haut-parleur de grave et du médium (veuillez vous reporter à la rubrique « précautions »). Le tweeter étant très délicat, sa grille ne doit jamais être retirée. Pour cette raison, l'anneau de fixation de la grille a été spécialement étudié pour une reproduction optimale de l'aigu. La reproduction serait moins agréable en l'absence de grille.

### **Rodage**

Les performances de vos enceintes vont s'améliorer durant les premières heures d'écoute. Le temps nécessaire pour que vos enceintes puissent atteindre leur rendement optimal dépendra de leurs conditions d'entreposage et de leur utilisation. Par exemple, lorsqu'elles ont été entreposées dans un endroit froid, leurs composants d'amortissement ainsi que les suspensions des haut-parleurs ne retrouvent leurs caractéristiques mécaniques initiales qu'après une plus ou moins longue période de fonctionnement. A titre indicatif, il faut prévoir une semaine d'acclimatation à température ambiante dans vos locaux et 60 heures d'usage moyen pour que les parties mécaniques atteignent les caractéristiques prévues.

### **Assemblage et fixation du support**

Les vis murales ne sont pas fournies. Utilisez des vis à tête ronde de 5 mm maximum et dont le diamètre de tête n'exécède pas 11 mm.

Percez deux trous, écartés de 44 mm dans le plan horizontal, à une hauteur égale à 150 mm au-dessus de l'endroit du mur où se situera la base de l'enceinte et enfoncez eux chevilles de format bien adapté (figure 8a). Prenez garde, en particulier si vous percez une cloison en plâtre, que les vis et les chevilles supportent le poids combiné de l'enceinte et du support. Serrez les vis dans le mur en prenant soin de laisser un espace entre la cloison et la tête de 16 mm (figure 8b).

Assemblez la plaque support et la plaque murale en utilisant les vis M5 et la clé Allen de 4 mm (figure 9a).

Faites passer la vis M8 à travers la fente du plateau support et vissez la dans l'insert taraudé situé au dos de l'enceinte en utilisant la clé Allen de 6 mm (figure 9b). Placez la vis au bout de la fente, opposé à la plaque murale. Les trous de serrure doivent rester clairement visibles.

Raccordez les câbles, avant d'accrocher la plaque murale sur les vis de la cloison.

Placez l'enceinte pour qu'elle se trouve au plus près du mur en tenant compte de l'angle de rotation.

Si vous devez orienter l'enceinte sur le plan vertical, nous recommandons de remplacer le support mural fourni par un Omnimount 30.0. Ce modèle s'adapte sans problème aux 4 inserts encastrés dans la base de l'enceinte.

### **Accessoires**

Les grandes possibilités de restitution offertes par ces enceintes demandent un soin particulier dans le choix des électroniques et des câbles de liaison. Nous pouvons guider votre choix mais il nous est impossible de vous recommander un produit en particulier. Les caractéristiques de ces matériels évoluent en permanence; votre revendeur saura vous proposer un ensemble d'éléments actualisés.

Dans nos spécifications techniques nous indiquons une marge de puissance pour les amplificateurs. La valeur la plus élevée correspond à la puissance continue maximale pouvant être supportée par l'enceinte. Pour déterminer la puissance utile, il faut s'assurer que l'amplificateur ne saturera jamais ; la saturation déforme le signal sonore et est très dangereuse pour les haut-parleurs. Une enceinte acoustique est prévue pour diffuser des programmes musicaux normaux ; les signaux tests provenant de générateurs ou similaires doivent être pros crits. L'indication de puissance la plus faible correspond à ce que nous considérons comme nécessaire pour parvenir à un niveau sonore raisonnable, sans distorsions audibles, dans une pièce de dimensions modestes (moins de 50 m<sup>3</sup>). Plus la puissance de votre amplificateur est élevée, plus vous limitez les risques de saturation. Compte tenu du fait qu'une enceinte acoustique représente une charge complexe, nous vous recommandons de choisir un très bon amplificateur. Comme première approche, vous devez rechercher un appareil dont la puissance efficace sous 4 ohms représente pratiquement deux fois la puissance obtenue sous 8 ohms. Cette précaution garantit une excellente capacité en courant.

Dans le but de réduire à un niveau inaudible l'influence que les câbles peuvent avoir sur la réponse en fréquences de vos enceintes, l'impédance de ceux-ci, mesurée à toutes les fréquences et les deux conducteurs en série, doit être aussi faible que possible et toujours inférieure à 0,1 ohm. Aux basses fréquences, la résistance en courant continu est le facteur dominant ; vous choisissez une section de câble permettant d'atteindre l'impédance requise en fonction de la longueur que vous souhaitez utiliser. Aux fréquences moyennes et élevées, la composante inductive de l'impédance peut dominer la résistance en courant continu. Ces caractéristiques et d'autres dépendent de la conception du câble. Demandez à votre revendeur de vous indiquer le modèle convenant le mieux à votre application.

### **Précautions**

Pour l'entretien de l'ébénisterie vous procéderez usuellement à un simple dépoussiérage. Au cas où vous utiliserez un nettoyeur en aérosol, retirez d'abord les grilles en tissu, vaporisez le produit directement sur le chiffon, jamais sur l'enceinte. Le tissu peut être nettoyé au moyen d'une brosse, après que vous ayez retiré la grille de l'enceinte.

Évitez de toucher les membranes des haut-parleurs et spécialement celle du tweeter pour ne pas les détériorer.

# Deutsch

## Garantie

Sehr geehrte Kundin, sehr geehrter Kunde, willkommen bei B&W.

Dieses Produkt wurde nach den höchsten Qualitätsstandards entwickelt und hergestellt. Sollte dennoch der unwahrscheinliche Fall eintreten, dass Sie als Kunde Grund zur Reklamation haben, werden B&W Loudspeakers und seine nationalen Vertriebsgesellschaften das fehlerhafte Produkt ohne Berechnung der Arbeits- und Materialkosten (abgesehen von einigen Ausnahmen) in jedem Land, in dem eine offizielle B&W-Vertriebsgesellschaft vertreten ist, reparieren.

Die Garantiezeit beträgt fünf Jahre ab Kaufdatum bzw. zwei Jahre auf Aktivlautsprecher und elektronische Bauteile.

### Garantiebedingungen

- Die Garantie ist auf die Reparatur der Geräte beschränkt. Weder der Transport noch sonstige Kosten, noch das Risiko des Ausbaus, des Transports und der Installation der Produkte wird von dieser Garantie abgedeckt.
- Diese Garantie gilt nur für den Originalbesitzer. Sie ist nicht übertragbar.
- Diese Garantie ist nur dann gültig, wenn zum Zeitpunkt des Kaufs Fabrikations- und/oder Materialfehler vorliegen und nicht:
  - bei Schäden durch unfachmännische Installation, falsches Anschließen oder unsachgemäßes Verpacken,
  - bei Schäden, die auf einen nicht in der Bedienungsanleitung genannten Einsatzzweck, auf Fahrlässigkeit, Modifikationen oder die Verwendung von Teilen zurückzuführen sind, die nicht von B&W hergestellt bzw. zugelassen wurden,
  - bei Schäden durch defekte oder ungeeignete Zusatzgeräte,
  - bei Schäden durch Unfälle, Blitzschlag, Wasser, Feuer, Hitze, Krieg, öffentliche Unruhen oder sonstige Ereignisse, die nicht der Kontrolle von B&W und seinen Vertriebsgesellschaften unterliegen,
  - für Produkte, deren Seriennummern geändert, gelöscht, entfernt oder unleserlich gemacht wurden,
  - wenn Reparaturen oder Modifikationen von einem Nichtfachmann durchgeführt wurden.
- Diese Garantie ergänzt die nationalen/regionalen gesetzlichen Verpflichtungen der Händler bzw. der nationalen Vertriebsgesellschaften und schränkt in keiner Weise die gesetzlichen Rechte, die Sie als Kunde haben, ein.

### Inanspruchnahme von Garantieleistungen

Sollten Sie unseren Service in Anspruch nehmen müssen, gehen Sie bitte folgendermaßen vor:

- Befindet sich das Gerät in dem Land, in dem Sie es gekauft haben, setzen Sie sich mit Ihrem autorisierten B&W-Fachhändler in Verbindung.
- Befindet sich das Gerät außerhalb des Landes, in dem Sie es gekauft haben, wenden Sie sich bitte an die nationale B&W-Vertriebsgesellschaft des Landes, in dem Sie leben. Diese wird Ihnen Auskunft darüber geben, wo Sie das Gerät reparieren lassen können. Die Adresse der für das jeweilige Land zuständigen Vertriebsgesellschaft erhalten Sie bei B&W in Großbritannien oder über unsere Website.

Garantieleistungen werden nur erbracht, wenn dieses Garantie-Booklet (vollständig ausgefüllt und mit dem Händlerstempel und dem Kaufdatum versehen) vorgelegt wird. Ist dies nicht möglich, ist als Kaufbeleg die Originalrechnung oder ein anderer Kaufbeleg vorzulegen, aus dem auch das Kaufdatum ersichtlich wird und der Sie als Eigentümer des Gerätes ausweist.

## Bedienungsanleitung

### Einleitung

Vielen Dank, daß Sie sich für ein Produkt der Marke Bowers and Wilkins entschieden haben.

Mit den Lautsprechern der Signature™-Serie haben Sie Präzisions-Schallwandler erworben, in die viele innovative Technologien eingeflossen sind, die B&W so einzigartig machen. Dank dieser Technologien ist es möglich, höchste Wiedergabequalität zu gewährleisten. Zur Klangoptimierung ist es erforderlich, sich für das Aufstellen Zeit zu nehmen. Beachten Sie, daß der akustische Charakter des Hörraumes einen erheblichen Effekt auf die Klangqualität hat.

Die Signature™SCM ist ein flacher Wandlautsprecher, der in Kombination mit anderen Lautsprechern der Signature™-Serie vorwiegend für den Einsatz als Surroundlautsprecher entwickelt wurde. Er kann aber auch überall dort genutzt werden, wo der Einsatz eines flachen Lautsprechers Sinn macht. Lesen Sie sich aber vorher bitte die Hinweise zur magnetischen Abschirmung in dieser Anleitung durch (siehe unten).

B&W unterhält in mehr als 60 Ländern ein Netz erfahrener Distributoren, die Ihnen zusammen mit dem autorisierten Fachhändler jederzeit weiterhelfen, um Ihnen den Musikgenuß zu Hause zu ermöglichen.

### Auspacken (Abbildung 1)

- Klappen Sie die Laschen des Kartons nach hinten und drehen Sie Karton samt Inhalt um.

- Heben Sie den Karton vom Inhalt ab.
- Entfernen Sie die Innenverpackung vom Lautsprecher.

Wir empfehlen, die Verpackung für einen eventuellen späteren Transport aufzubewahren.

Im Versandkarton sind enthalten:

- 2 Verbindungskabel für die Anschlußklemmen
- 1 Reinigungstuch
- 1 Warranty booklet (Hinweise zur Garantie)
- 1 Wandplatte aus Aluminium
- 1 Trägerplatte aus Aluminium
- Der PE-Beutel enthält:
  - 4 M5-Schrauben
  - 1 M8-Schraube
  - 3-mm-Innensechskantschlüssel
  - 6-mm-Innensechskantschlüssel

### Anschließen der Lautsprecher

Während des Anschließens sollten alle Geräte abgeschaltet sein.

Auf der Rückseite des Lautsprechers befinden sich zwei Paar Anschlußklemmen für Bi-Wiring-Anwendungen, das untere Paar zur Signalübertragung zum Tief-/Mitteltöner, das obere Paar zur Signalübertragung zum Hochtöner.

Um auch beim Betrieb mit extrem leistungsstarken Verstärkern der Gefahr eines elektrischen Schlags vorzubeugen, sind die Anschlußklemmen isoliert. Für den Anschluß an den Verstärker ist eine große Auswahl an Verbindungskabeln erhältlich, und somit sind die meisten Anwendungen möglich.

Bi-Wiring ist die bevorzugte Anschlußmethode und setzt die Verwendung verschiedener Kabel vom Verstärker zu jedem Anschlußklemmenpaar voraus. Die Trennung der Signalwege erhöht die Auflösung bei tiefen Frequenzen und ermöglicht es dem Anwender, das für das jeweilige Frequenzspektrum beste Kabel einzusetzen (Abbildung 2).

Möchten Sie während der Systemeinstellung oder aufgrund der höheren Anzahl an Anschlußkabeln auf Bi-Wiring verzichten, nutzen Sie die zum Lieferumfang gehörenden kurzen Verbindungskabel und verbinden damit die positiven und negativen Lautsprecheranschlußklemmen miteinander (Abbildung 3).

Zum Anschluß der Verbindungskabel führen Sie den Kabelschuh in den Schlitz an der Seite der einen Anschlußklemme ein und stecken das andere Ende des Verbindungskabels mit dem gerippten Pin in das seitliche Loch der anderen Anschlußklemme (Abbildung 3a). An dieser Anschlußklemme findet sich noch genügend Spielraum für ein mit einem Kabelschuh versehenes Lautsprecherkabel vom Verstärker (Abbildung 3b).

Verbinden Sie mit den Verbindungskabeln nur jeweils gleichpolig bezeichnete Anschlußklemmen. Achten Sie auf festen Sitz der Anschlußkabel an den Anschlußklemmen. Überprüfen Sie gegebenenfalls von Zeit zu Zeit deren Sitz.

Schließen Sie die (rot markierten) positiven Anschlußklemmen an den positiven Ausgang des Verstärkers und die (schwarz markierten) negativen Anschlußklemmen an den negativen Ausgang des Verstärkers an.

Verwenden Sie die kurzen Verbindungskabel nie in Bi-Wiring-Anwendungen. Achten Sie hierbei besonders genau auf die richtige Polarität, da bei falschem Anschluß der Frequenzgang über die Tief-Mittelton-Weiche beeinträchtigt werden kann. Ferner kann es, falls die kurzen Verbindungskabel nicht entfernt worden sind, durch Kurzschließen der Ausgangsanschlüsse zu einer Beschädigung des Verstärkers kommen.

## Positionierung

Befestigen Sie die Wandhalterung erst, wenn Sie die optimale Position für Ihre Lautsprecher gefunden haben.

## Magnetische Streufelder

Die Lautsprecherchassis erzeugen ein magnetisches Streufeld. Daher empfehlen wir, einen Mindestabstand von 0,5 m zwischen magnetisch empfindlichen Artikeln (Disketten, Chequekarten, mechanischen Armbanduhren, Audio- und Videobändern usw.) und Lautsprecher zu bewahren.

Aus diesem Grund sollte die SCM nur in Kombination mit akustisch transparenten Leinwänden, Plasma- oder LCD-Bildschirmen als Centerlautsprecher eingesetzt werden.

## HiFi-Cinema

### Einsatz als Surroundlautsprecher

Es gibt zwei Arten, Surroundinformationen zu präsentieren. Ältere Film-Soundtracks, bei denen die Surroundinformationen auf einem Kanal aufgenommen wurden, profitieren von intensiven Raumeffekten aus den Surroundlautsprechern. Heutige 5.1-Kanal-Aufnahmen (Film und Musik) haben links und rechts diskrete Surroundkanäle, die ein präziseres Klangbild übertragen. Jedoch ist das Klangbild zu den Seiten und nach hinten im allgemeinen nicht so präzise wie vorne. Phantomklangbilder zwischen den Lautsprechern sind mit Dauertönen einfach zu erzeugen, Reiblaute haben dagegen die Eigenschaft, den Ton an den Lautsprechern zu lokalisieren. Schwierig ist es, für mehr als eine Zuhörerreihe ein ideales Gleichgewicht zwischen Front- und Surroundlautsprechern herzustellen.

Grundsätzlich gelangt von jedem Lautsprecher ein Teil des Schalls direkt zum Ohr, ein anderer wird zuvor an den Zimmerwänden reflektiert. Gute Surroundeffekte zeichnen sich durch ein gutes Verhältnis von direktem zu reflektiertem Schallanteil am Hörplatz aus. Zu viele reflektierte Anteile verwässern die Effekte, ein zu hoher Anteil an direktem Schall wirkt sich negativ auf den Realismus

von Umgebungseffekten aus. Es kommt auf die richtige Mischung an. Diese hängt aber stark von der Raumakustik, den Möglichkeiten, die Sie bei der Positionierung der Lautsprecher haben und der Anzahl der Zuhörer ab.

Es gibt keinen Industriestandard für den Winkel, den ein Surroundlautsprecher gegenüber der Hörposition haben sollte. Bei den meisten Aufnahmen werden die Surroundlautsprecher allerdings in einem Winkel von 110° bis 130° zum Frontzentrum ausgerichtet. Platzieren Sie die Lautsprecher vorübergehend in diesem Winkelbereich an der Wand. Die Hochtöner sollten sich dabei in Ohrhöhe befinden. Auf diese Weise finden Sie heraus, ob Sie die Lautsprecher besser seitlich oder an der Rückwand platzieren. Richten Sie die Lautsprecher dem Mittelpunkt des Hörbereichs entsprechend aus (Abbildung 4). Die Wandhalterung ermöglicht horizontal eine Drehung um 45°. Sitzen Sie z.B. in einem Sessel mit hoher Rückenlehne, kann es vorteilhaft sein, die Lautsprecher höher anzubringen. Zufriedenstellende Ergebnisse werden bis zu einem Abstand von ca. 60 cm über Ohrhöhe erzielt.

Sind alle Lautsprecher für einen ersten Hörtest in ihrer Position, hören Sie sich eine möglichst große Bandbreite an Quellen an – 5.1-Kanal-Audio, Action-Filme usw. Verändern Sie Ihre Hörposition mehrmals. Achten Sie besonders auf die Surroundinformationen und die Stabilität der Klangbilder.

Sollte das Klangbild nicht zufriedenstellend ausfallen oder können Sie die Lautsprecher nicht im bevorzugten Bereich anbringen, sollten Sie ein möglichst diffuses Klangbild anstreben. Dies kann auch unter schwierigen Bedingungen zu Ergebnissen führen, die akzeptabel sind. Versuchen Sie, den Winkel der Lautsprecher dahingehend zu verändern, daß sie nicht mehr in den Hörbereich zeigen. Darüber hinaus kann es vorteilhaft sein, die Lautsprecher in einem Abstand oberhalb der Ohrhöhe zu platzieren (Abbildung 5).

Haben Sie die optimale Position gefunden, befestigen Sie die Lautsprecher dauerhaft (siehe unten).

### Einsatz als Centerlautsprecher

Bei Einsatz eines Projektors platzieren Sie den Lautsprecher mittig hinter der akustisch transparenten Leinwand. Ansonsten ist der Lautsprecher direkt auf bzw. unter dem Bildschirm zu positionieren und zwar so, daß er sich möglichst in Ohrhöhe befindet.

### Einsatz als linker und rechter Frontlautsprecher

Positionieren Sie die Lautsprecher seitlich vom Bildschirm mit einem Abstand von 0,5 bis 1,0 m.

Befindet sich der Lautsprecher hinter einer akustisch transparenten Leinwand, platzieren Sie den linken und rechten Lautsprecher möglichst auf gleicher Höhe. Befindet sich der Centerlautsprecher auf bzw. unter dem Bildschirm, sollte die Höhe des linken und rechten Lautsprechers zwischen der Höhe des

Centerlautsprechers und der Bildschirmitte liegen. Richten Sie die Lautsprecher so aus, daß ein möglichst realistisches und stabiles Klangbild erzeugt wird.

Zur Gewährleistung einer größtmöglichen Realitätsnähe in einem Home-HiFi-Cinema-System ist es wichtig, die Lautsprecher gut auszurichten und das Klangbild auf die Bildschirmgröße abzustimmen. Bei kleineren Bildschirmen sollten linker und rechter Lautsprecher näher zusammengestellt werden als es in reinen Audio-Anwendungen üblich ist.

Stimmen Sie die Schallpegel vom linken, rechten und Center-Lautsprecher bei laufendem Film aufeinander ab. Der Pegel der Surround-Lautsprecher sollte so sein, daß die Aufmerksamkeit des Zuhörers (mit Ausnahme von Spezialeffekten) nicht auf sie gerichtet wird.

Setzen Sie sich an alle möglichen Hörpositionen, um ein optimales Einpegeln zu gewährleisten.

Ihrem Decoder-Handbuch können Sie detaillierte Informationen zum Einpegeln entnehmen.

## 2-Kanal-Audio

Bringen Sie die Lautsprecher so an, daß sich die Hochtöner ungefähr in Ohrhöhe befinden.

Grundsätzlich gilt (Abbildung 6):

- Die Lautsprecher und der Hörbereich sollten ein gleichseitiges Dreieck bilden.
- Der Abstand zwischen den Lautsprechern sollte zur Gewährleistung einer exakten Stereokanalretnung mindestens 1,5 m betragen.

Ist der Abstand zwischen den Lautsprechern zu groß, kann es zu klanglichen Einbußen im mittleren Bereich des Hörraumes kommen. Versuchen Sie, den Abstand zwischen den Lautsprechern zu verringern oder auf die Hörposition auszurichten (Abbildung 7).

## Feinabstimmung

Prüfen Sie vor der Feinabstimmung Ihres Systems noch einmal, ob alle Verbindungen richtig hergestellt wurden.

Ist der Klang eher zu hell, hilft die Verwendung weicher Einrichtungsgegenstände wie z.B. schwerer Vorhänge. Umgekehrt sollte man bei dumpfem, leblosem Klang die Verwendung solcher Einrichtungsgegenstände auf ein Minimum reduzieren.

Prüfen Sie den Raum auf Mehrfachechos. Klatschen Sie in die Hände und hören Sie, ob Echos auftreten. Diesen Echos kann durch die Verwendung unregelmäßiger Oberflächen wie z.B. Regale oder großen Möbelstücken entgegengewirkt werden.

Bei Hörtests sollten Sie die mit Stoff bespannte Lautsprecherabdeckung wie unten in Abschnitt „PFLEGE“ beschrieben entfernen. Der Hochtöner ist sehr empfindlich. Daher sollte seine Abdeckung nicht entfernt werden. Der Ring um die

Abdeckung ist so ausgelegt, daß er eine optimale akustische Umgebung für den Hochtöner darstellt und die Wiedergabequalität ohne Abdeckung schlechter ist.

## Einlaufphase

In der Einlaufphase gibt es feine Unterschiede in der Wiedergabequalität des Lautsprechers. Wurde der Lautsprecher in einer kühlen Umgebung gelagert, so wird es einige Zeit dauern, bis die Dämpfungskomponenten und die für die Aufhängung der Chassis eingesetzten Werkstoffe ihre optimalen mechanischen Eigenschaften besitzen. Die Aufhängung der Chassis wird mit den ersten Betriebsstunden beweglicher. Die Zeit, die der Lautsprecher benötigt, um seine maximale Leistungsfähigkeit zu entwickeln, schwankt abhängig von den vorherigen Lager- und den Einsatzbedingungen. Grundsätzlich kann man sagen, daß es eine Woche dauert, bis sich die Lautsprecher nach Temperatureinwirkungen stabilisiert haben. 60 Betriebsstunden sind erforderlich, bis die mechanischen Teile ihre Funktion wie bei der Konstruktion festgelegt erfüllen können.

## Anbringen und befestigen der wandhalterung

Die Schrauben und Dübel zur Befestigung der Wandhalterung sind im Lieferumfang nicht enthalten. Verwenden Sie Schrauben mit einem Gewindedurchmesser von 5,0 mm und einem maximalen Kopfdurchmesser von 11 mm.

Bohren Sie in einem Abstand von 150 mm zum Lautsprecherboden und horizontal in einem Abstand von 44 mm zwei Löcher in die Wand (Abbildung 8a). Stellen Sie unbedingt sicher, daß die Schrauben und Dübel stabil genug sind, um das Gewicht von Lautsprecher und Halterung zu tragen. Drehen Sie die Schrauben ein, bis der Abstand zwischen Schraubenkopf und Wand 16 mm beträgt (Abbildung 8b).

Schrauben Sie die Trägerplatte mit vier M5-Schrauben an die Wandplatte. Verwenden Sie dazu den beiliegenden 4-mm-Innensechskantschlüssel (Abbildung 9a).

Führen Sie die M8-Schraube mit dem 6-mm-Innensechskantschlüssel durch die Öffnung an der Trägerplatte in die Bohrung am Boden des Lautsprechergehäuses (Abbildung 9b). Positionieren Sie die Schraube so, daß die Langlöcher sichtbar bleiben.

Schließen Sie die Kabel an die Lautsprecher an und hängen Sie die Wandplatte über den Schrauben an die Wand.

Die Lautsprecher sollten im Einklang mit dem Rotationswinkel möglichst wandnah platziert werden.

Möchten Sie den Lautsprecher vertikal ausrichten, empfehlen wir, anstelle der beiliegenden Halterung eine Wandhalterung der Serie OmniMount 30.0 zu verwenden. Befestigen Sie diese an den vier zusätzlichen Bohrungen im Lautsprecherboden.

## Zusätzliches equipment

Derart wertige Lautsprecher erzeugen Signale höchster Klangtreue. Wählen Sie die Elektronik und die Verbindungskabel sorgfältig aus. Wir können Ihnen Ratschläge geben, worauf Sie bei der Auswahl des Equipments achten sollten, jedoch können wir keine speziellen Komponenten nennen. Die Qualität dieser Komponenten wird ständig besser und Ihr autorisierter B&W-Fachhändler kann Ihnen eine Reihe kombinierbarer Geräte vorführen, die dem neuesten Stand der Technik entsprechen.

In den technischen Daten finden Sie eine Bereichsangabe zur Belastbarkeit. Die höhere Angabe ergibt sich aus der reinen Belastbarkeit des Lautsprechers. Sie wurde unter der Voraussetzung ermittelt, daß der Verstärker in einem verzerrungsfreien Betriebszustand arbeitet und normale Musiksignale wiedergegeben werden sollen. Oszillator-Testsignale und ähnlich ohrenbetäubende Testtöne sind keine Musik! Die kleinere Leistungsangabe stellt das Minimum an Verstärkerleistung dar, das wir für nötig erachten, um normale Abhörlautstärken in einem kleineren Raum (unter 20 qm) ohne hörbare Klangbeeinträchtigung zu erreichen. Je höher die Leistung des verwendeten Verstärkers ist, desto geringer wird die Gefahr, den Verstärker in dem für die Lautsprecher gefährlichen verzerrenden Betriebszustand (Clipping) zu betreiben. Wie gut ein Verstärker mit der komplexen Belastung durch einen Lautsprecher zurechtkommt, kann man anhand der Leistungsangaben an 4-Ohm- und 8-Ohm-Lasten beurteilen: Nähern sich diese beiden Angaben einem Verhältnis von 2 : 1 an, ist dies ein Zeichen für eine gute Stromlieferfähigkeit des Verstärkers.

Mit dem Ziel, Effekte des Lautsprecherkabels auf die Musikwiedergabe des Lautsprechers auf ein unhörbares Niveau zu reduzieren, sollte der Widerstand des Kabels über den gesamten Frequenzbereich (positiver und negativer Leitungsweg in „Reihe“ gemessen) so gering wie möglich, mindestens aber unter 0,1 Ohm gehalten werden. Haupteinflußfaktor bei tiefen Frequenzen ist der Gleichstromwiderstand des Kabels. Um die Impedanzwerte nicht zu überschreiten, sollten Sie den Kabelquerschnitt in Abhängigkeit zu den verwendeten Kabellängen wählen. Bei mittleren und hohen Frequenzen können die induktiven Bestandteile des Widerstandes den Gleichstromwiderstand in Ihrer Auswirkung übertreffen. Diese und andere Eigenschaften hängen stark von der Konstruktion eines Kabels ab. Fragen Sie Ihren autorisierten B&W-Fachhändler und lassen Sie sich für Ihren Einsatzzweck optimal beraten.

## Pflege

Die Gehäuseoberfläche muß in der Regel nur abgestaubt werden. Bei Verwendung eines Aerosol-Reinigers entfernen Sie vor dem Reinigen zunächst vorsichtig die Abdeckung vom Gehäuse. Sprühen Sie den Reiniger auf ein Tuch, niemals direkt auf das Gehäuse. Der Stoff kann nach dem Entfernen der Abdeckung mit einer normalen Kleiderbürste gereinigt werden.

Vermeiden Sie es, die Lautsprecherchassis zu berühren, da dies zu Beschädigungen führen kann. Das gilt vor allem für den Hochtöner.

# Español

## Garantía limitada

Estimado cliente:

Bienvenido a B&W.

Este producto ha sido diseñado y fabricado de acuerdo con las más altas normas de calidad. Sin embargo, si hallara algún defecto en el mismo, B&W Loudspeakers y sus distribuidores nacionales garantizan, sin coste alguno para usted, la mano de obra (es posible que haya excepciones) y la reposición de piezas en cualquier país donde se cuente con un distribuidor autorizado de B&W.

Esta garantía limitada es válida por un periodo de cinco años desde la fecha de compra (dos años para las partes electrónicas) incluyendo altavoces amplificadores.

### Términos y condiciones

- 1 Esta garantía está limitada a la reparación del equipo. La garantía no cubre ni el transporte ni otros costes; tampoco cubre ningún riesgo por traslado, transporte e instalación de los productos.
- 2 La garantía será aplicable exclusivamente para el propietario original. No es transferible.
- 3 Esta garantía tendrá vigencia solamente si se trata de casos de materiales defectuosos y/o de fabricación existentes en el momento de la compra, y no será aplicable en los siguientes casos:
  - a daños causados por instalación, conexión o embalaje inapropiados,
  - b daños causados por un uso que no se corresponda con el uso correcto tal como se describe en el manual del usuario, negligencia, modificaciones o la utilización de piezas no originales de fábrica o no autorizadas por B&W,
  - c daños causados por equipos auxiliares defectuosos o inapropiados,
  - d daños causados por accidentes, relámpagos, agua, incendios, calor, guerra, disturbios sociales u otra causa ajena al control razonable de B&W y de sus distribuidores autorizados,
  - e productos cuyo número de serie haya sido modificado, borrado, retirado o convertido en ilegible,
  - f si una persona no autorizada ha efectuado alguna reparación o modificación en el producto.
- 4 Esta garantía complementa cualquier obligación legal a nivel nacional/regional de concesionarios o distribuidores nacionales y, como cliente, no afecta a sus derechos estatutarios.

### Cómo solicitar reparaciones bajo garantía

En caso de ser necesaria alguna revisión, siga el siguiente procedimiento:

- 1 Si está usando el equipo en el país en el que fue adquirido, debería contactar con el detallista autorizado de B&W donde lo adquirió.
- 2 Si el equipo está siendo utilizado fuera del país en el que fue adquirido, debería contactar con el distribuidor nacional de B&W correspondiente al país donde reside, que le asesorará sobre el lugar al que deberá enviárselo para que pueda ser revisado. Para obtener información sobre cómo contactar con su distribuidor local, puede llamar a B&W en el Reino Unido o visitar nuestro sitio web.

Para convalidar su garantía, debe mostrar al pertinente folleto debidamente rellenado y con la fecha de compra estampada por su concesionario. De lo contrario, tendrá que mostrar la factura de venta original u otro comprobante que demuestre su propiedad y la autenticidad de su fecha de compra.

## Manual de instrucciones

### Introducción

Gracias por elegir Bowers and Wilkins.

Sus cajas acústicas de la Serie Signature™ son transductores de precisión que incorporan muchas técnicas altamente innovadoras exclusivas de B&W y son capaces de reproducir el sonido grabado con los más elevados estándares de calidad actualmente disponibles. Por tanto, para que puedan rendir al cien por cien de sus posibilidades es esencial dedicar el tiempo y el cuidado suficientes al proceso de instalación de las mismas. En particular, le recordamos que debe considerar la habitación de escucha como una extensión de la propia caja acústica puesto que el carácter acústico de aquélla puede influir profundamente en la calidad sonora final.

La Signature™SCM es una caja acústica poco profunda diseñada para ser montada en pared en aplicaciones de sonido envolvente (canales de efectos) junto con otras cajas acústicas de la Serie Signature™. Aun así, puede utilizarse en todas aquellas aplicaciones que requieran el uso de una caja acústica poco profunda, en las que se deberán tener en cuenta los comentarios que figuran más adelante relacionados con el apantallamiento magnético.

B&W cuenta con una red de distribuidores altamente cualificados y motivados en más de 60 países que podrán ayudarle en la resolución de cualquier problema que su detallista no pueda solucionar.

### Desembalaje (figura 1)

- Doble hacia atrás las aletas de la caja de cartón del embalaje e invierta este último junto con su contenido
- Levante la caja de cartón hasta que su contenido quede depositado en el suelo

- Libere el producto de su embalaje interno

Le sugerimos que guarde el embalaje para un uso futuro.

Compruebe que en la caja del embalaje hay:

- 2 cables cortos (puentes) para la unión de los terminales
- 1 gamuza de limpieza
- 1 folleto de aluminio
- 1 placa de aluminio para montaje en pared
- 1 placa de sujeción de aluminio
- Una bolsa de plástico que contiene:
  - 4 tornillos M5
  - 1 tornillo M8
  - 1 llave Allen de 3 mm
  - 1 llave Allen de 6 mm

### Conexiones

Todas las conexiones deben realizarse con el equipo apagado.

Hay 2 pares de terminales en la parte posterior de la caja acústica para permitir la conexión en bicableado. El par inferior alimenta el altavoz de graves mientras que el superior alimenta los altavoces de medios y agudos.

Los terminales están aislados para evitar cualquier probabilidad de que se produzca una descarga eléctrica, incluso cuando las cajas acústicas se utilicen con amplificadores de muy alta potencia, y aceptan una extensa variedad de conectores para adaptarse a todo tipo de aplicaciones.

El bicableado es el método de conexión recomendado y en su ejecución se utilizan cables separados para conectar el amplificador con cada uno de los pares de terminales de las cajas acústicas. La separación de los trayectos recorridos por la señal de audio mejora la resolución de los detalles de bajo nivel y permite al usuario optimizar el tipo de cable utilizado para restituir cada gama de frecuencias (figura 2).

En caso de que usted no desee bicablear sus cajas, quizás porque está procediendo a la puesta a punto inicial de su equipo o porque no quiere ver muchos cables en su habitación, se suministran cables cortos (puentes) para unir los terminales de conexión positivos y negativos de las mismas (figura 3).

Cuando utilice los puentes, inserte la clavija en la ranura lateral de uno de los terminales y el conector terminado en punta en el agujero redondo del otro. Hay suficiente espacio para insertar un conector de tipo horquilla ("spade") desde el amplificador hasta el segundo de los terminales mencionados.

Asegúrese de que cada uno de los terminales positivos de la caja (color rojo) es conectado al terminal de salida positivo del amplificador y de que cada terminal negativo de aquélla (color negro) es conectado al terminal de salida negativo

del amplificador. Una conexión incorrecta puede provocar una imagen sonora pobre y pérdidas en la respuesta en graves.

Cuando bicablee, no utilice los puentes. Preste una atención especial a la polaridad de las distintas conexiones ya que una conexión incorrecta también puede perjudicar la respuesta en frecuencia del filtro de medios/graves y, si los puentes no se quitan, puede dañar el amplificador como consecuencia de la unión de sus terminales de salida.

## Colocación

Asegúrese de que la posición elegida para instalar la caja acústica es la mejor posible antes de fijar el soporte de montaje a la pared.

## Campos magnéticos dispersos

Los altavoces contenidos en las cajas acústicas generan campos magnéticos dispersos que se extienden más allá de las fronteras del recinto. Le recomendamos que aleje los objetos magnéticamente sensibles (pantallas de televisión, monitores de ordenador, discos flexibles, cintas de audio y vídeo, tarjetas con banda magnética y cosas por el estilo) al menos 0,5 m de la caja acústica.

Por esta razón, sólo se recomienda utilizar la Signature™SCM para el canal central de sistemas de A/V cuando se usen sistemas de proyección de imágenes insensibles a los campos magnéticos dispersos (por ejemplo pantallas de plasma o LCD).

## Cine en Casa

### Como una caja acústica con sonido surround

Hay dos maneras básicas de presentar la información de sonido envolvente. Las bandas sonoras cinematográficas más antiguas, donde la información de sonido envolvente fue grabada en un único canal, se beneficiaban de una presentación sonora muy envolvente gracias a las cajas acústicas de efectos, aunque se esforzaban muy poco para mejorar la imagen sonora lateral y posterior. Las más modernas – tanto de audio como de A/V – grabaciones de 5.1 canales incorporan dos canales – izquierdo y derecho – de sonido envolvente completamente separados que permiten reconstruir una imagen sonora mucho más precisa. No obstante, las imágenes obtenidas en las escenas laterales y posterior suelen ser menos precisas que las correspondientes a la escena frontal. Los tonos sostenidos pueden posicionarse de un modo más sencillo entre las cajas acústicas que los sonidos percusivos, que tienden a colapsarse en aquéllas. También resulta difícil mantener la posición de la imagen sonora para todos los oyentes si el área de escucha ocupa una porción significativa de la superficie delimitada por las cinco cajas acústicas del sistema. La estabilidad de dicha imagen depende de la consecución o no del balance correcto entre las citadas cajas y además el efecto de “punto de escucha crítico” es en este caso incluso más marcado que con audio de dos canales.

Teniendo lo anterior en mente, su éxito a la hora de recrear las intenciones del productor de la película visionada en lo que al campo sonoro envolvente se refiere dependerá en gran parte de condicionantes de tipo doméstico, como por ejemplo la libertad de la que usted disponga para colocar las cajas acústicas en una posición ideal y el número de espectadores a los que se desee llegar con respecto al tamaño de la sala.

No hay ningún estándar establecido por la industria en lo que respecta al ángulo de orientación de las cajas acústicas en la posición de escucha pero la mayoría de grabaciones son realizadas con las citadas cajas ubicadas entre 110° y 130° con respecto a la posición frontal central. Coloque las cajas acústicas contra la pared teniendo en cuenta el anterior margen de ángulos aunque inicialmente ubíquelas sobre un soporte provisional que sitúe los altavoces de agudos de las mismas aproximadamente a la altura de sus oídos. Esta maniobra definirá si usted coloca las cajas acústicas en la pared lateral o posterior. Oriente las cajas acústicas de manera que apunten hacia el centro del área de escucha (figura 4). El soporte de pared permitirá girar horizontalmente cada caja hasta un máximo de 45°. Si usted piensa escuchar el sonido sentado en un sillón con un respaldo muy alto o la radiación emitida por las cajas acústicas es obstruida de algún otro modo, puede resultar ventajoso elevarlas un poco más. Pueden obtenerse resultados satisfactorios elevando las cajas hasta aproximadamente 60 cm por encima del nivel de los oídos.

Con todas las cajas acústicas ya posicionadas para llevar a cabo las pruebas de escucha iniciales, escuche un amplio repertorio de grabaciones musicales – audio de 5.1 canales, películas de acción e intimistas – y siéntese en todas las posiciones de escucha que le interesen. Preste una particular atención a la información de sonido envolvente y a la estabilidad de las imágenes sonoras obtenidas.

Si la imagen sonora obtenida es insatisfactoria, por ejemplo si está desplazada en exceso hacia los extremos del área de escucha, o usted no puede colocar las cajas acústicas dentro del margen óptimo, es posible que prefiera un campo sonoro más difuso. Esta situación puede proporcionar unos resultados más aceptables en situaciones difíciles. Intente cambiar el ángulo de orientación de las cajas acústicas de manera que apunten hacia fuera del área de escucha. También puede resultar ventajoso situar las cajas acústicas muy por encima de la altura de los oídos (figura 5).

Una vez haya encontrado la posición óptima, fije en ella de manera permanente la caja acústica (ver más abajo).

### Como caja acústica frontal central

Si utiliza un sistema de proyección de imágenes con una pantalla acústicamente transparente, coloque la caja acústica detrás del centro de dicha pantalla. En caso de que no pueda ser así, colóquela directamente encima o debajo de la

pantalla, dando prioridad a la ubicación que mejor se ajuste al nivel de sus oídos.

### Como caja acústica frontal izquierda y derecha

Separe la caja acústica entre 0,5 m y 1 m de los lados de la pantalla.

Si la caja acústica correspondiente al canal central está instalada detrás de una pantalla acústicamente transparente, haga todo lo posible para colocar las cajas acústicas frontales izquierda y derecha a la misma altura. Si la caja acústica central está por encima o por debajo de la pantalla, la altura a la que se instalen las cajas acústicas frontales izquierda y derecha debería estar comprendida entre la de la caja central y la del centro de la pantalla. Ajuste el ángulo de orientación de las cajas acústicas hasta conseguir la imagen sonora más estable y real posible.

Es importante, para conseguir un mayor realismo en las instalaciones de Cine en Casa, equilibrar las cajas acústicas y ajustar la imagen acústica para que la misma se adapte al tamaño de la pantalla de visión. Con pantallas más pequeñas puede resultar más real y creíble acercar más de lo habitual las cajas acústicas principales (frontal izquierda y frontal derecha) con respecto a la posición de las mismas utilizada en la escucha de música.

Ajuste los niveles correspondientes a las tres cajas acústicas frontales para conseguir una transición suave de los sonidos cuando se desplacen de un lado a otro de la pantalla. Ajuste el nivel de las cajas acústicas de sonido envolvente para que, a excepción de algunos efectos especiales concretos, su atención no se concentre excesivamente en ellas.

Sitúese en posiciones perfectamente conocidas por usted a la hora de decidir los niveles óptimos para cada caja acústica.

Consulte el manual de instrucciones de su decodificador de sonido envolvente para conocer con más detalle el procedimiento de ajuste de los niveles de cada caja.

### Audio Estereofónico de 2 Canales

Monte las cajas acústicas de modo que los tweeters estén situados aproximadamente al mismo nivel que los oídos de los oyentes.

A modo de guía básica:

- Coloque las cajas acústicas y el centro del área de escucha de modo que coincidan aproximadamente con los vértices de un triángulo equilátero.
- Distancie las cajas acústicas entre sí un mínimo de 1,5 m para mantener la separación entre los canales izquierdo y derecho.

Si la imagen central es pobre, intente acercar las cajas acústicas entre sí o inclínelas de manera que apunten hacia los oyentes o estén encaradas hacia ellos (figura 7).

## Ajuste fino

Antes de proceder al ajuste fino, verifique cuidadosamente que todas las conexiones de la instalación son correctas y seguras.

Si el sonido es demasiado chillón, aumente la cantidad de materiales blandos (generalmente fonosorbentes) presentes en la habitación (utilice, por ejemplo, cortinas más pesadas). Por el contrario, reduzca la presencia de los citados materiales si el sonido es apagado y carente de vida.

Compruebe si en la habitación de escucha hay eco flotante aplaudiendo rápidamente y escuchando a continuación para detectar si se producen repeticiones rápidas de los aplausos. Para reducir dicho eco, utilice superficies de forma irregular, como por ejemplo estanterías y muebles de gran tamaño.

Para conseguir una escucha lo más rigurosa posible, quite la rejilla de protección tal y como se describe en la sección "Cuidado y Mantenimiento". El tweeter es muy delicado, por lo que su rejilla de protección debería dejarse en su lugar. Es por esta razón que el anillo de fijación de dicha rejilla ha sido diseñado para proporcionar un entorno acústico óptimo que el altavoz de agudos, por lo que el comportamiento de este último es menos suave si aquélla es extraída.

## Periodo de rodaje

Las prestaciones de la caja cambiarán de manera sutil durante el periodo de escucha inicial. Si la caja ha estado almacenada en un ambiente frío, tanto los materiales absorbentes y de amortiguamiento como los que forman parte de los sistemas de suspensión de los diferentes altavoces tardarán cierto tiempo en recuperar sus propiedades mecánicas correctas. Las suspensiones de los altavoces también se relajarán durante las primeras horas de uso. El tiempo que la caja acústica necesite para alcanzar las prestaciones para las que fue diseñado variará en función de las condiciones de almacenamiento previas de la misma y de como se utilice. A modo de guía, deje transcurrir una semana para la estabilización térmica de la caja y unas 60 horas de uso en condiciones normales para que las partes mecánicas de la misma alcancen las características de funcionamiento para las que fueron diseñadas.

## Montaje y fijación del soporte

Los tornillos y tacos para el montaje en pared no se suministran de serie. Utilice tornillos con cabeza redonda de 11 mm de diámetro como máximo cuyo cuerpo tenga un diámetro máximo de 5 mm.

Haga, separados horizontalmente entre sí 44 mm, dos agujeros en la pared a 150 mm por encima del lugar en que vaya a estar la parte inferior de la caja acústica (figura 8a). Procure, en particular si la instalación se va a efectuar en paredes de yeso, que los tornillos y tacos utilizados puedan soportar el peso combinado del soporte y la caja acústica. Inserte los tornillos en la pared de manera que la

cabeza del tornillo sobresalga 16 mm por encima de la superficie (figura 8b).

Monte la placa del soporte en la pared utilizando los cuatro tornillos M5 y la llave Allen de 4 mm (figura 9a).

Introduzca el tornillo M8 a través de la ranura de la placa del soporte y de la que hay en la parte inferior del recinto de la caja acústica y fjelo con la llave Allen de 6 mm (figura 9b). Inicialmente, coloque el tornillo al final de la ranura más alejada de la placa de la pared de manera que todas las ranuras de fijación sean claramente visibles.

Conecte los cables a la caja acústica y fija la placa de la pared actuando sobre los tornillos correspondientes.

Ajuste la caja acústica para que esté lo más cerca posible de la pared manteniendo la coherencia con el ángulo de rotación elegido.

En caso de que necesitara ajustar el ángulo vertical de la caja acústica, le recomendamos que utilice un soporte de pared OmniMount 30.0 Series en lugar del suministrado de origen. El nuevo soporte puede ser montado utilizando los cuatro orificios adicionales situados en la base de la caja acústica.

## Equipo asociado

Las cajas acústicas de este nivel merecen ser excitadas por señales de la más alta calidad posible. Elija con sumo cuidado tanto la electrónica de ataque como los cables de interconexión. Podemos orientarle diciéndole lo que debe buscar a la hora de seleccionar el equipo asociado aunque no nos es posible recomendarle modelos específicos. Las características de tales productos mejoran continuamente con el tiempo, motivo por el que le recomendamos que visite a un distribuidor especializado para que le demuestre una extensa variedad de modelos actualizados que se adapten a sus cajas.

En las especificaciones recomendamos una amplia gama de potencias de ataque. El valor más alto viene dado por la capacidad de manejo de potencia de la caja acústica. Durante el cálculo de este parámetro, se supone que el amplificador no funciona al límite de sus posibilidades – ya que en este caso la señal podría recortarse, es decir entrar en lo que se conoce como "clipping" y por consiguiente presentar un elevado nivel de distorsión – y que la señal de ataque corresponde a un programa musical. Por tanto, no se aplican tonos de prueba procedentes de osciladores ni señales parecidas. El valor más bajo es el mínimo que consideramos necesario para alcanzar niveles de escucha razonables sin distorsión audible en la habitación de dimensiones más pequeñas (menos de 50 m<sup>3</sup>). Cuanto mayor sea la potencia del amplificador de ataque, menor será la posibilidad de que se produzcan recortes en la señal debidos al mismo. A menudo es posible deducir la calidad de un amplificador a la hora de atacar cargas complejas observando el valor de su potencia de salida sobre cargas de 4 y 8 Ω. Cuando más cerca esté de 2:1 la relación entre estas dos potencias de salida, mejor

será el amplificador ya que ello indica una buena capacidad en corriente del mismo.

A fin de reducir la influencia del cable de conexión en la respuesta en frecuencia de la caja acústica a niveles inaudibles, la impedancia del mismo en todas las frecuencias (midiendo en serie sus conductores positivos y negativos) debería mantenerse en el valor más bajo posible y en cualquier caso por debajo de 0,2 Ω. A las frecuencias más bajas, la resistencia en continua del cable constituye un factor dominante, por lo que debería utilizarse un cable de grosor suficiente para satisfacer los requerimientos de impedancia a lo largo de la longitud de cable que usted necesite utilizar. Por otro lado, en las frecuencias medias y altas la componente inductiva de la impedancia puede dominar a la resistencia en continua. Esta y otras propiedades influenciadas por las particularidades constructivas del cable pueden llegar a ser importantes. Consulte con un distribuidor especializado para obtener consejo sobre el cable que mejor se adapte a sus necesidades.

## Cuidado y mantenimiento

Por lo general, la superficie del recinto acústico solo requiere, para su limpieza, una simple gamuza suave. En caso de que desee utilizar un limpiador de tipo aerosol, extraiga en primer lugar la rejilla protectora y a continuación rocíe la gamuza de limpieza, nunca directamente sobre el recinto. Mientras esté fuera de la caja, la rejilla puede limpiarse con un cepillo normal para la ropa.

Evite tocar los altavoces, en particular el tweeter, ya que podría dañarlos.

# Português

## Garantia limitada

Estimado Cliente,

Bem-vindo à B&W.

Este produto foi concebido e fabricado de acordo com os mais elevados padrões de qualidade. No entanto, se houver qualquer problema com este produto, os Altifalantes B&W e os seus distribuidores nacionais garantem serviço de mão-de-obra (podendo-se aplicar exclusões) e de substituição de peças gratuitos em qualquer país servido por um distribuidor oficial de B&W.

Esta garantia limitada é válida por um período de cinco anos a partir da data de compra ou dois anos pela parte electrónica incluindo altifalantes amplificadas.

### Termos e condições

- 1 Esta garantia limita-se à reparação do equipamento. Nem transporte, nem quaisquer outros custos, nem qualquer risco de remoção, transporte e instalação de produtos estão cobertos por esta garantia.
- 2 A garantia só é válida para o proprietário original. Não é transferível.
- 3 Esta garantia não será aplicável nos casos em que os defeitos não sejam atribuíveis a materiais e/ou mão-de-obra na altura da compra e não será aplicável a:
  - a danos causados pela instalação, ligação ou embalamento incorrectos,
  - b danos causados por qualquer utilização que não seja a correcta conforme descrita no manual do utilizador, negligência, modificações ou utilização de peças que não sejam fabricadas ou autorizadas pela B&W,
  - c danos causados por equipamento auxiliar inadequado ou defeituoso,
  - d danos causados por acidentes, relâmpagos, água, incêndio, calor, guerra, distúrbios públicos ou qualquer outra causa para além do controlo razoável da B&W e dos seus distribuidores nomeados,
  - e produtos cujo número de série tenha sido alterado, apagado, removido ou que tenha sido tornado ilegível,
  - f reparações ou modificações que tenham sido efectuadas por pessoa não autorizada.
- 4 Esta garantia complementa quaisquer obrigações legais nacionais e regionais de revendedores ou distribuidores nacionais e não afecta os seus direitos estatutários como cliente.

### Como reivindicar reparações sob garantia

Caso seja necessário assistência técnica, queira seguir o procedimento seguinte:

- 1 Se o equipamento está a ser utilizado no país de compra, deverá contactar o distribuidor autorizado da B&W de onde o equipamento foi comprado.
- 2 Se o equipamento está a ser utilizado fora do país de compra, deverá contactar o distribuidor nacional da B&W do país de residência que o aconselhará onde o equipamento pode ser reparado. Pode telefonar para a B&W no RU ou visitar a nossa web site para obter os pormenores de contacto do seu distribuidor local.

Para validar a sua garantia, precisará de produzir este livrete de garantia preenchido e carimbado pelo seu distribuidor na data da compra. Em alternativa, precisará da factura original de venda ou outra prova de propriedade e data de compra.

## Manual do utilizador

### Introdução

Gratos por ter escolhido Bowers and Wilkins.

As suas colunas da série Signature™ são transdutores de precisão que incorporam muitas técnicas inovadoras exclusivas da B&W e são capazes de reproduzir o registo sonoro de acordo com os melhores padrões de qualidade. Para que possam dar o seu melhor, é essencial que o processo de instalação seja levado a cabo com cuidado e sem pressas. Em especial, deverá olhar a sala de audição como uma extensão das colunas. A característica acústica da sala pode ter um efeito profundo na qualidade do som final.

A Signature™SCM é uma coluna pouco profunda desenhada para montagem encastrada, principalmente para uso como canal surround em conjunto com outras colunas da Série Signature™. De qualquer modo, pode ser usada sempre que uma coluna pouco profunda seja necessária, mas tendo em conta os seguintes comentários sobre blindagem magnética.

A B&W mantém uma rede de distribuidores próprios em mais de 60 países, que poderão ajudá-lo no caso de aparecimento de qualquer problema que não possa ser solucionado pelo seu revendedor.

### Desembalagem (figura 1)

- Dobre as abas para trás e volte a caixa com o respectivo conteúdo.
- Levante a caixa, deixando o conteúdo no chão.
- Remova a embalagem interior do equipamento.

Sugerimos que mantenha a embalagem para possível utilização futura.

Verifique se a embalagem inclui:

- 2 cabos para ligação sem bi-cablagem
- 1 pano de limpeza
- 1 certificado de garantia
- 1 placa de parede em alumínio

- 1 placa de suporte em alumínio
- Saco em polyten contendo:
  - 4 parafusos M5
  - 1 parafuso M8
  - Chave Allen de 3 mm
  - Chave Allen de 6 mm

### Ligações

Todas as ligações devem ser efectuadas com o equipamento desligado.

Existem dois pares de terminais na parte posterior da coluna para permitir a bi-cablagem. O par de baixo alimenta o altifalante de médios-graves e o par de cima destina-se ao altifalante de agudos.

Os terminais são isolados para evitar a possibilidade de qualquer choque eléctrico, mesmo quando as colunas são utilizadas com os amplificadores mais potentes, e permitem a utilização de uma grande variedade de terminações de cabos.

A bi-cablagem constitui o método de ligação preferível e corresponde à utilização de cabos independentes desde o amplificador até cada par de terminais. A separação do trajecto dos sinais melhora a resolução dos detalhes de baixo nível e permite ao utilizador a optimização do tipo de cabo à gama de frequência (figura 2).

Se não pretender utilizar a bi-cablagem, talvez durante o procedimento inicial de configuração ou porque não gosta de ver uma grande quantidade de cabos espalhados pela sala, são fornecidos uns pequenos cabos para efectuar a ligação entre os dois terminais positivos e entre os dois terminais negativos (figura 3).

Quando usar estes pequenos cabos, ligue os terminais de forquilha na ranhura de um dos bornes de coluna e o pino no furo existente no outro. Existe espaço suficiente para inserir um terminal de forquilha do cabo proveniente do amplificador no mesmo borne do pino.

Assegure-se de que cada borne positivo da coluna (de cor vermelha) está ligado ao terminal de saída positivo do amplificador e o negativo (de cor preta) ao negativo. As ligações incorrectas podem resultar numa imagem sonora pouco definida e falta de graves.

Quando utilizar a bi-cablagem, não utilize os cabos de interligação dos bornes. Tome cuidados suplementares com a polaridade das ligações uma vez que as ligações incorrectas podem também alterar a resposta de frequência através do filtro separador de médios-baixos e, se os cabos forem deixados no lugar, podem danificar o amplificador por curto-circuito das saídas.

### Colocação

Encontre a posição óptima para a coluna antes de fixar o suporte de montagem na parede.

### Campos magnéticos parasitas

Os altifalantes das colunas criam campos magnéticos parasitas que se estendem para lá dos limites da caixa.



Recomendamos que mantenha os equipamentos sensíveis a campos magnéticos (ecrãs de TV e de computadores, discos de computador, fitas de áudio e vídeo, etc.) afastados pelo menos 50 cm da coluna.

Por esta razão, a Signature™SCM só é apropriada para usar como coluna central quando se use um projector, ecrans plasma ou LCD que não são afectados pelos campos magnéticos perdidos.

## Cinema em Casa

### Como uma Coluna Surround

Existem duas maneiras de apresentar a informação surround. Bandas sonoras de filmes mais antigos, onde a informação surround só era gravada num canal, beneficiando de um ambiente próprio, uma apresentação envolvente das colunas surround, com pouca mostra de uma imagem precisa para os lados e traseira. As gravações de canal 5.1 mais modernas de filmes e áudio têm canais surround direito e esquerdo discretos, que podem transmitir uma imagem mais precisa. Contudo, a imagem para os lados e traseira não é geralmente tão precisa como a obtida na frente. Tons sustentidos podem ser mais prontamente posicionados entre as colunas do que os sons de percussão, que têm tendência a cair em frente às colunas. É também difícil manter a posição da imagem para todos os ouvintes se a área de audição for uma proporção significativa da área entre as cinco colunas. A estabilidade da imagem depende de se conseguir o equilíbrio correcto entre todas as cinco colunas e o efeito "hot spot" é ainda mais notado do que em 2 canais áudio.

Tendo isto em mente, o seu sucesso em recrear as intenções do produtor para o campo surround vão depender em grande conta de restrições domésticas – qual é a sua liberdade para posicionar as colunas numa posição ideal e quão larga audiência quer atingir, relativamente ao tamanho da sala.

Não existe nenhum standard de fábrica para o ângulo formado pelas colunas surround na posição de audição, mas grande parte das gravações são feitas com as colunas surround posicionadas entre 110° e 130° a partir do centro. Posicione as colunas contra a parede dentro deste campo de ângulos, inicialmente num suporte temporário que ponha os tweeters aproximadamente à altura do ouvido. Isto vai definir se posiciona as colunas na parede lateral ou traseira. Aponte as colunas para a frente e para o centro da área de audição (figura 4). O suporte de parede vai permitir que a coluna seja rodada horizontalmente até 45°. Se ouvir em cadeiras de encosto alto, ou se as colunas estão obscuras, pode ser vantajoso elevá-las mais. Resultados satisfatórios podem ser obtidos com elas elevadas aproximadamente até 60 cm acima do nível do ouvido.

Com todas as colunas posicionadas para testes iniciais de audição, ouça uma larga variedade de material – 5.1 canais áudio, filmes de acção e pequena escala – movimente-se por todas as posições de

audição desejadas. Preste atenção especial à informação surround e à estabilidade das imagens.

Se a imagem não for satisfatória, se por exemplo se tornar muito lateralizada nos extremos da área de audição, ou se não consegue colocar as colunas dentro do campo preferido, será melhor apontar para um campo de som mais difuso. Isto pode dar-lhe resultados mais aceitáveis em situações difíceis. Tente mudar o ângulo das colunas de modo a que estas apontem para fora da área de audição. Pode também ser vantajoso elevar as colunas bem acima do nível do ouvido (figura 5).

Uma vez encontrada a posição óptima, fixe a coluna permanentemente nessa posição (veja em baixo).

### Como uma Coluna Central

Se utilizar um projector de vídeo com ecrã acusticamente transparente, coloque a coluna na parte de trás do ecrã e ao centro deste. De outra forma a colocação deverá ser feita imediatamente acima ou abaixo do ecrã, conforme a posição em que a coluna fique mais ao nível do ouvido. Alinhe a frente da coluna de forma aproximada com o plano do ecrã.

### Como uma Coluna Frontal Direita e Esquerda

Coloque a coluna a uma distância entre 0,5 m e 1 m ao lado da televisão.

Se a coluna central está por trás de um ecran acusticamente transparente, posicione as colunas frontais direita e esquerda o mais próximo possível à mesma altura. Se a coluna central está em cima ou em baixo do ecran, a altura das colunas direita e esquerda deve ser entre a coluna central e o centro do ecran. Ajuste o ângulo das colunas para conseguir uma imagem mais estável e realista.

Para maior realismo em sistemas Home Theatre é importante equilibrar as colunas e ajustar a imagem acústica de forma a estar de acordo com a dimensão do ecrã. Com ecrãs de menores dimensões poderá ser mais realista ter as colunas um pouco mais próximas do que aquilo que seria desejável para utilização em estéreo normal.

Ajuste os níveis das três colunas frontais de forma a obter uma audição suave dos sons que varrem o ecrã. Ajuste o nível das colunas posteriores de forma a que, excepto nos efeitos especiais, a sua atenção não seja dirigida para elas.

Sente-se em todas as posições de audição possíveis durante o ajuste dos níveis óptimos de audição.

Consulte o manual do seu descodificador para mais informação sobre o ajuste dos níveis.

### Áudio de 2 canais

Instale as colunas de maneira a que os tweeters fiquem ao nível do ouvido.

Para início de instalação (figura 6):

- Coloque as colunas e o centro da área de audição aproximadamente nos vértices de um triângulo equilátero.

- Mantenha um afastamento de pelo menos 1,5 m entre as colunas para manter a separação entre canais.

Se a imagem central for fraca, tente melhorar colocando as colunas um pouco mais próximas ou virando-as um pouco para o interior de forma a que apontem para a zona de audição, ou um pouco para a frente desta (figura 7).

## Ajuste fino

Antes de efectuar o ajuste fino, volte a verificar se todas as ligações estão correctas e firmes.

Se o som for demasiado agreste, aumente a quantidade de mobiliário macio na sala (utilize por exemplo cortinas mais pesadas), ou reduza-o se o som for macilento e sem vida.

Verifique a existência de ecos batendo as palmas e escutando as repetições rápidas. Reduza-os com a utilização de superfícies irregulares como as prateleiras com livros e os móveis de grandes dimensões.

Para uma audição mais exigente, retire a grelha coberta de tecido conforme abaixo se descreve na secção "Cuidados posteriores". O altifalante de agudos é extremamente delicado e a respectiva grelha deve ser deixada no lugar para protecção. Por esta razão o anel de retenção da grelha foi projectado para proporcionar um desempenho acústico optimizado do altifalante e a resposta será menos linear com a grelha retirada.

## Periodo de estabilização

O desempenho da coluna altera-se subtilmente durante o período inicial de audição. Se a coluna foi armazenada num ambiente frio, os compostos de amortecimento e materiais de suspensão dos altifalantes levam algum tempo a recuperar as suas correctas propriedades mecânicas. A suspensão dos altifalantes também ganha alguma folga durante as primeiras horas de utilização. O tempo que a coluna leva até chegar ao seu nível normal de desempenho varia de acordo com as condições prévias de armazenagem e a forma de utilização. Normalmente, deverá aguardar cerca de uma semana para estabilizar os efeitos de temperatura e 60 horas de utilização média para que as partes mecânicas adquiram as suas características definitivas.

## Montando e fixando o suporte

Parafusos e tampas para ajuste à parede não são fornecidos. Use parafusos de cabeça arredondada com 5,0 mm de comprimento máximo e 11 mm de diâmetro de cabeça máximo.

Faça dois buracos na parede, 150 mm acima do local onde a base da caixa da coluna ficará e espaçados horizontalmente 44 mm (figura 8a). Tenha um cuidado especial, especialmente se está a colocar o suporte em painéis de parede fina, se os parafusos e tampas podem suportar o peso combinado do suporte e coluna. Insira os parafusos na parede deixando a cabeça 16 mm fora da superfície.

Junte a placa de suporte à placa de parede usando os 4 parafusos M5 e a Chave Allen de 4 mm (figura 8b).

Aperte o parafuso M8 através da placa do suporte até ao caminho aberto na parte de baixo do painel de encastração, usando a chave Allen de 6 mm (figura 9b). Inicialmente, posicione o parafuso no fim da ranhura aproximado-o da placa da parede de modo a que os buracos fiquem claramente visíveis.

Ligue os cabos à coluna e prenda a placa da parede por cima dos parafusos na parede.

Ajuste a coluna de modo a estar tão perto da parede quanto possível, tendo em conta o ângulo de rotação.

Se precisar de ajustar o ângulo vertical da coluna, recomendamos o uso de um suporte de parede OmniMount Série 30.0 em vez do fornecido. Pode ser compatível com os 4 orifícios adicionais na base da Coluna.

### Equipamento complementar

As colunas desta gama merecem sinais da melhor qualidade. Escolha o seu equipamento electrónico e cabos de interligação com o maior cuidado. Podemos oferecer pistas sobre o que procurar em termos de equipamento complementar, mas não poderemos recomendar equipamentos específicos. As normas desses equipamentos melhoram continuamente e o seu revendedor poderá demonstrar-lhe uma larga gama de produtos actuais.

Em termos de especificação recomendamos uma gama de potências para o amplificador. O valor mais elevado é definido pela potência de dissipação da coluna. Quando é calculada a potência de dissipação, parte-se do princípio que o amplificador não entra em corte, o que distorce o espectro de frequência do sinal, e que o som é de um sinal musical normal. Os sinais de teste produzidos por osciladores e afins não são aplicáveis. O valor mais baixo é o mínimo que consideramos necessário para obter níveis de audição razoáveis sem distorção numa sala pequena (menos de 50 m<sup>3</sup>). Quanto mais elevada for a potência utilizada, menos provável será a possibilidade do amplificador entrar em corte. Muitas vezes podemos avaliar a capacidade de um amplificador de funcionar com cargas complexas verificando a sua potência máxima com cargas de 4 Ω e 8 Ω. Quanto mais próxima estiver a relação do valor 2:1 melhor, uma vez que isso indica uma boa capacidade de fornecimento de corrente.

Para reduzir o efeito dos cabos na resposta de frequência das colunas até um nível inaudível, a impedância do cabo a todas as frequências (medindo os condutores positivo e negativo em série) deve ser o mais baixa possível e necessariamente abaixo de 0,1 Ω. Nas frequências baixas, a resistência CC do cabo constitui o factor dominante e deverá escolher de secção suficiente para conseguir um valor suficientemente baixo de impedância com o um cabo do comprimento necessário. Nas frequências médias e altas a

componente indutiva da impedância pode dominar a resistência à corrente contínua. Esta e outras propriedades influenciadas pelos detalhes de construção do cabo tornam-se importantes. Consulte o seu revendedor acerca do cabo mais adequado às suas necessidades.

### Cuidados posteriores

A superfície da caixa apenas necessita normalmente de limpeza do pó. Se pretender utilizar um produto de limpeza em aerossol, retire em primeiro lugar a grelha afastando-a suavemente da caixa. Pulverize para o pano de limpeza, não directamente sobre a caixa. A grelha pode ser limpa com uma vulgar escova de fatos quando está fora do altifalante.

Evite tocar o diafragma dos altifalantes, especialmente do de agudos, pois pode provocar danos.

## Italiano

### Garanzia limitata

Egregio cliente

Un benvenuto da parte della B&W.

Questo prodotto è stato progettato e fabbricato secondo i più alti standard qualitativi. Tuttavia, nell'improbabile caso di un guasto o malfunzionamento, B&W Loudspeakers e i suoi distributori nazionali garantiscono parti sostitutive e mano d'opera gratuite (alcune eccezioni sono possibili) nei paesi in cui è presente un distributore ufficiale B&W.

Questa garanzia limitata è valida per un periodo di cinque anni dalla data di acquisto o di due anni per i componenti elettronici, altoparlanti inclusi.

### Termini e condizioni

- 1 La garanzia è limitata alla sola riparazione delle apparecchiature. La garanzia non copre i costi di trasporto o nessun altro tipo di costo, né i rischi derivanti dalla rimozione, il trasporto e l'installazione dei prodotti.
- 2 La garanzia è valida solo per l'acquirente originario e non è trasferibile.
- 3 Questa garanzia è applicabile solo in caso di materiali e/o fabbricazione difettosi al momento dell'acquisto e non è applicabile nei seguenti casi:
  - a danni causati da installazione, connessione o imballaggio incorretti,
  - b danni causati da un uso inadeguato del prodotto, diverso dall'uso specificato nel manuale dell'utente, negligenza, modifiche o impiego di componenti non fabbricati o autorizzati da B&W,
  - c danni causati da apparecchiature ausiliarie difettose o inadatte,
  - d danni causati da incidenti, fulmini, acqua, fiamme, calore, guerra, disordini pubblici o altra causa al di fuori del ragionevole controllo di B&W e i suoi ufficiali distributori,
  - e quando il numero di serie del prodotto è stato alterato, cancellato, rimosso o reso illeggibile,
  - f se riparazioni o modifiche sono state effettuate da persone non autorizzate.
- 4 Questa garanzia completa le obbligazioni di legge regionali e nazionali dei rivenditori o distributori nazionali e non incide sui diritti del consumatore stabiliti per legge.

### Riparazioni sotto garanzia

Se sono necessarie delle riparazioni, seguire le procedure delineate qui di seguito:

- 1 Se le apparecchiature sono utilizzate nel paese in cui sono state acquistate, contattare il rivenditore autorizzato B&W da cui sono state acquistate.
- 2 Se le apparecchiature non sono utilizzate nel paese in cui sono state acquistate, contattare il distributore

nazionale B&W nel paese di residenza, che sarà in grado di fornire i dettagli della ditta incaricata delle riparazioni. Contattare B&W nel Regno Unito o visitare il sito web per i dettagli dei vari distributori di zona.

Per convalidare la garanzia, bisognerà esibire questo opuscolo, compilato e timbrato dal rivenditore il giorno dell'acquisto. In alternativa, si potrà esibire lo scontrino d'acquisto originale o altro tipo di prova d'acquisto con data d'acquisto.

# Manuale di istruzioni

## Introduzione

Grazie per aver scelto Bowers and Wilkins.

I vostri diffusori Serie Signature™ sono trasduttori di precisione che adottano molte innovazioni tecnologiche introdotte da B&W e sono in grado di riprodurre il suono registrato ai più alti livelli. Perché possano dare il meglio è necessario dedicare tempo e attenzione al processo di installazione, in particolare modo, dovete considerare la vostra stanza di ascolto come una estensione del vostro diffusore. Le caratteristiche acustiche della stanza possono avere un profondo effetto sulla qualità sonora finale.

Il Signature™SCM è un diffusore piatto progettato per un montaggio a parete, principalmente per un utilizzo come canale surround in abbinamento ad altri diffusori della Serie Signature™. Tuttavia può essere utilizzato ovunque sia necessario un diffusore piatto, ma ricordando i commenti sulla schermatura magnetica riportati più avanti.

B&W ha una rete di distributori in più di 60 paesi che saranno in grado di assistervi nel caso in cui aveste dei problemi che il vostro rivenditore non può risolvere.

## Sballaggio (figura 1)

- Ripiegate i lembi dell'imballo e capovolgete la scatola e il contenuto.
- Sollevate la scatola vuota.
- Togliete l'imballaggio interno dal prodotto.

Vi consigliamo di conservare la scatola d'imballaggio per un utilizzo futuro.

Controllate che nel cartone vi siano:

- 2 cavi di collegamento per i terminali
- 1 panno per la pulizia
- 1 libretto di garanzia
- 1 piastra da muro in alluminio
- 1 piastra di supporto in alluminio
- Il sacchetto in polietilene contiene:
  - 4 viti a brugola M5
  - 1 vite a brugola M8
  - 1 chiave a brugola da 3 mm
  - 1 chiave a brugola da 6 mm

## Collegamenti

Tutti i collegamenti dovrebbero essere fatti a impianto spento.

Ci sono due coppie di terminali sulla parte posteriore di ogni diffusore, che consentono il bi-wiring nel caso si volesse effettuare. La coppia più in basso alimenta l'unità per frequenze medio/basse, mentre quella in alto il tweeter.

I terminali sono isolati per evitare qualsiasi tipo di scossa elettrica nel caso in cui i diffusori siano utilizzati con amplificatori di altissima potenza ed accettano una varietà di terminazioni.

Il bi-wiring è il sistema di collegamento più indicato e comporta l'utilizzo di cavi separati dall'amplificatore ad ogni singola coppia di terminali. La separazione dei percorsi del segnale migliora la risoluzione dei microdettagli e consente all'utente di ottimizzare il tipo di cavo a seconda delle frequenze per cui deve essere utilizzato (figura 2).

Nel caso in cui non voleste utilizzare il bi-wiring, forse durante la procedura di set up iniziale o perché non volete vedere una moltitudine di cavi in mezzo alla stanza, sono forniti dei cavi corti (ponticelli) per collegare insieme sia i terminali positivi che quelli negativi del diffusore (figura 3).

Quando utilizzate i ponticelli, inserite la forcina nella fessura a lato di un terminale e il pin crimpato nel foro circolare a lato dell'altro terminale. Vi è abbastanza spazio per inserire una forcina proveniente da un amplificatore nello stesso terminale come per un pin crimpato.

Assicuratevi che il terminale positivo sul diffusore (colorato in rosso) sia collegato all'uscita positiva dell'amplificatore ed il negativo (nero) all'uscita negativa. Un collegamento scorretto determina un'immagine sonora scadente e perdita di bassi.

Quando effettuate il bi-wiring, non utilizzate i ponticelli. Controllate attentamente la polarità dei collegamenti poiché un collegamento errato può degradare la risposta in frequenza nel crossover della gamma medio/bassa e, se i ponticelli sono collegati, si può danneggiare l'amplificatore per un cortocircuito sui suoi terminali d'uscita.

## Posizionamento

Definite la posizione ottimale del diffusore prima di fissare al muro la staffa di montaggio.

## Campi magnetici dispersi

Le unità altoparlanti creano campi magnetici dispersi che si estendono al di là del cabinet. Vi raccomandiamo di tenere lontani i prodotti sensibili ai campi magnetici (televisioni, schermi per computer, dischi per computer, tessere magnetiche, nastri audio e video e simili), almeno a 0,5 m dal diffusore.

Per questa ragione il Signature™SCM può essere solo utilizzato come canale centrale in abbinamento con videoproiettori, plasma o schermi a LCD che non emettono campi magnetici.

## Home Theater

### Come diffusore surround

Esistono due modi di presentare l'informazione surround. Le colonne sonore dei film più vecchi, dove l'informazione surround era registrata su un solo canale beneficiavano da una presentazione ricca di ambientazione e molto avvolgente da parte dei diffusori surround, con un'immagine poco precisa ai lati e posteriormente.

Registrazioni più moderne per il canale 5.1 sia di film che audio hanno i canali surround destro e sinistro separati che possono riprodurre un'immagine molto più precisa. Tuttavia, le immagini laterali e posteriori non sono generalmente così precise come quelle che si possono ottenere anteriormente. I toni alti possono essere identificati con maggior immediatezza fra i diffusori rispetto ai toni percussivi che hanno la tendenza a decadere davanti al diffusore. È anche difficile mantenere la posizione dell'immagine per tutti gli ascoltatori se l'area di ascolto occupa una parte notevole all'interno dello spazio fra i cinque diffusori. La stabilità dell'immagine dipende dal corretto bilanciamento tra i cinque diffusori e l'effetto "hot spot" è ancor più evidenziato rispetto all'audio a due canali.

Ricordando questo, il successo della vostra riproduzione del campo surround originale dipenderà in larga parte dalle limitazioni dell'ambiente domestico – quanta libertà avrete di collocare i diffusori nella posizione ideale, quanto ampia sarà l'area di ascolto che volete creare, in relazione alle dimensioni della stanza.

Non esistono degli standard per l'angolazione dei diffusori surround verso la posizione di ascolto, ma la maggior parte delle registrazioni sono effettuate con i diffusori surround posizionati tra 110° e 130° dal centro anteriore. Posizionate i diffusori contro il muro entro questa gamma di angolazioni, inizialmente su un supporto provvisorio che porti i tweeter circa all'altezza dell'orecchio. Questo definirà se posizionare i diffusori sulle pareti laterali o su quelle posteriori. Orientate i diffusori verso il centro dell'area di ascolto (figura 4). La staffa da muro consentirà una rotazione orizzontale del diffusore fino a 45°. Se non siete seduti in poltrona o se i diffusori sono in qualche modo coperti, sarebbe consigliabile spostarli più in alto. Risultati ottimali possono essere ottenuti posizionandoli ad un'altezza di 60 cm al di sopra dell'altezza dell'orecchio.

Con tutti i diffusori disposti per il test iniziale, ascoltate un'ampia varietà di materiali – audio canale 5.1, cortometraggi e film di azione – e provate diverse posizioni di ascolto. Ponete particolare attenzione all'informazione surround e alla stabilità delle immagini.

Se l'immagine è insoddisfacente, per esempio proviene troppo da un lato dell'area di ascolto o se voi non potete posizionare i diffusori entro la gamma preferita, sarebbe consigliabile mirare a un campo sonoro più diffuso. Questo può darvi risultati più accettabili in condizioni difficili. Cercate di cambiare l'angolazione dei diffusori in modo che siano rivolti

lontano dall'area di ascolto. Potrebbe anche essere meglio alzare i diffusori molto al di sopra dell'altezza dell'orecchio (Figura 5).

Una volta trovata la posizione ottimale, fissate definitivamente il diffusore in posizione (vedete più avanti).

### Come diffusore centrale anteriore

Se utilizzate un proiettore televisivo con uno schermo acusticamente trasparente, posizionate il diffusore dietro il centro dello schermo. Altrimenti collocatelo direttamente sotto o sopra lo schermo, purché sia più vicino al livello dell'orecchio.

### Come diffusore anteriore sinistro e destro

Lo spazio tra il diffusore e il lato dello schermo deve essere compreso tra 0,5 m e 1 m.

Se il diffusore centrale è dietro uno schermo acusticamente trasparente, posizionate i diffusori anteriore destro e sinistro il più vicino possibile alla stessa altezza. Se l'altoparlante centrale è sopra o sotto lo schermo, l'altezza dei diffusori destro e sinistro dovrebbe essere compresa tra l'altezza dell'altoparlante centrale e il centro dello schermo. Regolate l'angolo dei diffusori per ottenere l'immagine più realistica e stabile.

Per un maggior realismo in impianti home theater è importante bilanciare i diffusori e regolare l'immagine acustica in modo che sia proporzionata alle dimensioni dello schermo. Con schermi più piccoli può essere più realistico avere i diffusori destro e sinistro più vicini tra essi di quanto non fareste ascoltando solo la musica.

Regolate il livello dei tre diffusori anteriori per ottenere un passaggio uniforme dei suoni quando attraversano lo schermo. Regolate il livello dei diffusori surround in modo che, ad eccezione degli effetti speciali, la vostra attenzione non venga attratta indebitamente da essi.

Accomodatevi in tutte le possibili posizioni d'ascolto quando dovete decidere i livelli ottimali.

Consultate il manuale del vostro decoder per maggiori informazioni su come regolare i livelli.

### Audio a 2 canali

Montate i diffusori in modo tale che i tweeter siano approssimativamente all'altezza dell'orecchio.

Come guida iniziale (figura 6):

- Collocate gli altoparlanti in modo che con il centro della zona d'ascolto formino gli angoli di un triangolo equilatero.
- La distanza tra i diffusori deve essere di 1,5 m al fine di ottenere una corretta separazione stereo.

Se l'immagine centrale è scadente, cercate di spostare i diffusori più vicini l'uno all'altro oppure posizionate in modo che siano orientati verso l'area di ascolto o di fronte ad essa (figura 7).

### Messa a punto

Prima di mettere a punto l'installazione controllate nuovamente la polarità e i collegamenti.

Se il suono è troppo aspro, aumentate l'arredamento in tessuto della stanza (per esempio, utilizzate tendaggi più pesanti), oppure riducetelo se il suono è opaco e spento.

Controllate l'effetto eco battendo le mani e prestando ascolto alle ripetizioni in rapida successione. Riducetelo facendo uso di superfici irregolari come scaffalature per libri e grandi mobili.

Per un ascolto da intenditori, vi consigliamo di rimuovere la griglia in tessuto come viene descritto più avanti nella sezione "Manutenzione". Il tweeter è molto delicato e la sua griglia dovrebbe essere lasciata al suo posto per una maggior protezione. Per questa ragione l'anello di supporto alla griglia è stato progettato in modo tale da offrire una condizione acustica ottimale per l'unità e la risposta è meno uniforme se la griglia viene rimossa.

### Periodo di rodaggio

Le performance di un diffusore possono subire leggere variazioni durante il periodo d'ascolto iniziale. Se il diffusore è stato custodito in un ambiente freddo, i composti smorzanti e i materiali delle sospensioni delle unità avranno bisogno di un po' di tempo per recuperare le loro corrette proprietà meccaniche. Le sospensioni delle unità si ammorbidiranno durante le prime ore di utilizzo. Il tempo necessario al diffusore per raggiungere le prestazioni ottimali varierà in funzione delle condizioni di immagazzinamento precedente e da come viene utilizzato. Indicativamente sarà necessaria una settimana affinché gli effetti della temperatura si stabilizzino e in media 60 ore di utilizzo perché le parti meccaniche raggiungano le caratteristiche ottimali.

### Assemblaggio e fissaggio della staffa

Viti e tasselli per il fissaggio a muro non vengono forniti. Utilizzate viti a testa tonda con un diametro massimo di 5 mm e un diametro massimo della testa di 11 mm.

Forate e inserite due tasselli nel muro ad un'altezza di 150 mm al di sopra dello spazio in cui verrà posizionata la base del cabinet del diffusore e con una distanza in orizzontale di 44 mm (figura 8a). Ponete particolare cura, specialmente se il fissaggio avviene in pannelli a secco, che le viti e i tasselli possano reggere il peso complessivo del diffusore e della staffa. Inserire le viti nel muro lasciando che la testa sporga di 16 mm dalla superficie (figura 8b).

Assemblate la piastra di supporto sulla piastra a muro utilizzando le quattro viti M5 e la chiave a brugola da 4 mm (figura 9a).

Inserite la vite M8 attraverso la fessura della piastra di supporto nell'inserto filettato posto sul pannello alla base del cabinet, utilizzando la chiave a brugola da 6 mm (figura 9b). Inizialmente posizionate la vite alla fine della fessura più distante dalla

piastra a muro in modo tale che le fessure a toppa siano chiaramente visibili.

Collegate i cavi al diffusore e agganciate la piastra a muro sopra le viti nella parete.

Sistemate il diffusore il più vicino possibile alla parete, in proporzione all'angolo di rotazione.

Nel caso dovete regolare l'angolo verticale del diffusore, vi raccomandiamo di usare una staffa da muro Omnimount Serie 30.0 al posto di quella fornita. Può essere applicata ai 4 inserti filettati alla base del Diffusore.

### L'amplificazione e i cavi

Diffusori di questa classe meritano segnali di altissima qualità. Scegliete i vostri componenti e i cavi di collegamento con particolare attenzione. Vi possiamo guidare su cosa guardare quando scegliete gli altri componenti, ma non consigliarvi prodotti specifici. Il livello di questi prodotti migliora costantemente e il vostro rivenditore sarà in grado di mostrarvi una varietà di combinazioni sempre aggiornate.

In particolare vi raccomandiamo una gamma di potenze dell'amplificazione. Il dato più elevato è rappresentato dalla capacità di pilotaggio in potenza del diffusore. Quando si calcola la potenza di pilotaggio, è dato per assunto che l'amplificatore non vada in clipping, che distorce lo spettro di potenza della frequenza del segnale, e che il segnale sia un programma normale. Frequenze test e similari prodotte da oscillatori non sono applicabili. Il dato meno elevato è la minima potenza necessaria per ottenere ragionevoli livelli d'ascolto senza udibili distorsioni nella stanza più piccola (inferiore a 50 m<sup>3</sup>). Più alta è la potenza utilizzata minori sono le possibilità che l'amplificatore vada in clipping. Potete spesso dire quanto sia valido un amplificatore nel pilotare carichi di diffusori difficili guardando il suo dato di potenza sia su 4 che su 8  $\Omega$ . Il miglior rapporto è quello che si avvicina a 2:1 indice di una buona erogazione di corrente.

Per ridurre l'effetto che hanno i cavi sulla risposta in frequenza del diffusore, bisognerebbe mantenere molto bassa l'impedenza del cavo a tutte le frequenze (misurando in serie sia i conduttori positivi che quelli negativi) e sicuramente al di sotto di 0,1  $\Omega$ . Alle basse frequenze, la resistenza in corrente continua del cavo è il fattore dominante e dovreste scegliere un diametro di conduttore sufficiente per ottenere l'impedenza richiesta al di là della lunghezza del cavo di cui avete bisogno. Alle medie ed alle alte frequenze la componente induttiva dell'impedenza può prevalere sulla resistenza in corrente continua. Questa ed altre proprietà influenzate dalla struttura accurata del cavo diventano importanti. Chiedete al vostro rivenditore un consiglio sui migliori cavi adatti alle vostre esigenze.

### Manutenzione

La superficie del cabinet generalmente ha solo bisogno di essere spolverata. Se volete utilizzare un prodotto spray per pulire, rimuovete prima la griglia delicatamente dal cabinet. Spruzzate poi

direttamente sul panno e non sul mobile. La tela della griglia può essere pulita con una normale spazzola per abiti dopo averla rimossa dal mobile.

Evitate di toccare le unità altoparlanti, in particolare il tweeter, perché può essere danneggiato.

# Nederlands

## Beperkte garantie

Beste klant,

Welkom bij Bowers & Wilkins. Dit product is volgens de hoogste kwaliteitsnormen ontworpen en vervaardigd. Mocht er iets defect raken, dan biedt B&W Loudspeakers en haar nationale distributeurs u vervangende onderdelen en wordt geen arbeidsloon in rekening gebracht (behoudens een paar uitzonderingen). Dit geldt in elk land waar een officiële B&W distributeur gevestigd is.

De beperkte garantie geldt voor een periode van vijf jaar vanaf de datum van aankoop, en twee jaar voor de elektronica van actieve luidsprekers.

### Voorwaarden

- 1 De garantie is beperkt tot de reparatie van de apparatuur. Transport- of andere kosten, noch het verwijderen, vervoeren en installeren van producten vallen niet onder deze garantie.
- 2 De garantie geldt alleen voor de eerste eigenaar en is niet overdraagbaar.
- 3 Deze garantie is niet van toepassing in andere gevallen dan defecten van materialen en/of fabricage ten tijde van aankoop en is niet van toepassing in de volgende gevallen:
  - a Schade veroorzaakt door onjuiste installatie, aansluiting of verpakking.
  - b Schade veroorzaakt door afwijkend gebruik dan in de handleiding beschreven, nalatigheid, wijziging, dan wel gebruik van onderdelen die niet door B&W goedgekeurd of gefabriceerd zijn.
  - c Schade veroorzaakt door een defect of ongeschiktheid van aangesloten apparatuur.
  - d Schade veroorzaakt door ongeval, bliksem, water, brand, hitte, oorlog, openbaar geweld of enige andere oorzaak die buiten de invloed van B&W en haar distributeurs valt.
  - e Voor producten waarvan het serienummer gewijzigd, verwijderd, of onleesbaar gemaakt is.
  - f Wanneer reparaties of wijzigingen uitgevoerd zijn door een onbevoegd persoon.
- 4 Deze garantie is een aanvulling op eventuele nationale / regionale wettelijke verplichtingen voor dealers en nationale distributeurs en heeft geen invloed op uw statutaire rechten als consument.

### Claimen van reparaties onder de garantie

Mocht u aanspraak menen te kunnen maken op garantie, ga dan als volgt te werk:

- 1 Wordt de apparatuur gebruikt in het land van aankoop, neem dan contact op met de erkende B&W dealer waar u de apparatuur gekocht heeft.

- 2 Wanneer de apparatuur wordt gebruikt in een ander land dan het land van aankoop, neem dan contact op met de nationale distributeur van B&W in het land waar u verblijft. Deze kan u vertellen waar u de apparatuur kunt laten repareren. In Groot-Brittannië kunt u contact met B&W opnemen of onze website bezoeken voor het adres van uw plaatselijke distributeur.

Om aanspraak op garantie te kunnen maken, wordt u gevraagd de ingevulde garantiefolder, op de aankoopdatum door uw dealer afgestempeld, te tonen. Een andere mogelijkheid is het originele aankoopbewijs of ander bewijs van eigendom en aankoopdatum tonen.

## Handleiding

### Inleiding

Van harte gefeliciteerd met de aanschaf van dit Bowers and Wilkins kwaliteitsproduct.

Uw nieuwe Signature™ Series luidsprekers zijn precisieproducten met veel door B&W ontwikkelde innovatieve technologieën. Ze kunnen daarom geluidsopnames weergeven met een welhaast ongekende nauwkeurigheid. Om er zeker van te zijn dat ze ook bij u optimaal presteren is het beslist noodzakelijk om voldoende tijd uit te trekken voor een zo perfect mogelijke installatie. U moet daarbij met name de luisterruimte zien als een voortzetting van de luidsprekers. De akoestische eigenschappen van de ruimte kunnen namelijk een behoorlijke invloed hebben op de uiteindelijke weergavekwaliteit.

De Signature™SCM is een platte luidspreker en speciaal ontworpen voor bevestiging op een muur om als surround-luidspreker te worden gebruikt in combinatie met andere Signature™ Serie luidsprekers. Hij is echter overal toepasbaar waar een platte luidspreker vereist is. Daarbij moeten echter wel de onderstaande opmerkingen over magnetische afscherming in acht worden genomen.

B&W luidsprekers worden verkocht in meer dan 60 landen over de hele wereld. B&W heeft een internationaal netwerk van zorgvuldig uitgezochte importeurs die u de beste service zullen geven. Als u op een bepaald moment problemen heeft die uw leverancier niet kan oplossen, dan zal de importeur u altijd verder helpen.

### Uitpakken (figuur 1)

- Het eenvoudigste is om eerst de doosflappen geheel terug te vouwen en dan de doos om te keren.
- Daarna trekt u alleen de doos voorzichtig omhoog. De luidspreker blijft dan op zijn plaats staan.
- Verwijder het verpakkingsmateriaal van de luidspreker.

We adviseren u om het verpakkingsmateriaal te bewaren. Wanneer u eventueel in de toekomst de luidspreker(s) moet vervoeren, komt de originele verpakking uitstekend van pas.

In de doos vindt u behalve deze gebruiksaanwijzing:

- 2 doorluskabels
- 1 reinigingsdoek
- 1 garantieboekje
- 1 aluminium montagebeugels
- 1 aluminium ondersteuningsbeugels
- Polytheen zak met:
  - 4 M5 inbusschroeven
  - 1 M8 inbusschroef
  - 1 inbussleutel 3 mm
  - 1 inbussleutel 6 mm

## Aansluiten

Voordat u ook maar iets gaat aansluiten, moet u alle apparatuur UIT schakelen!

Er zijn twee paar aansluitklemmen op het achterpaneel waarmee de luidspreker volgens de Bi-Wiring methode kan worden aangesloten. Het onderste paar is voor de laag-/middeneenheid en het bovenste voor de hoogeenheid.

De klemmen zijn geïsoleerd en beschermen u zo tegen een mogelijke elektrische schok, zelfs bij de krachtigste versterkers. De klemmen zijn geschikt voor verschillende aansluitmethodes en toepassingen.

Gebruik bij voorkeur de Bi-Wiring aansluitmethode en sluit elk paar klemmen met een eigen kabel aan op de eindversterker. Deze scheiding van signaalwegen geeft een betere weergave, vooral van de kleinste details. Bovendien kunt u nu voor elk frequentiegebied de meest optimale kabelsoort gebruiken (figuur 2).

Het kan zijn dat u de Bi-Wiring methode niet wilt gebruiken, bijvoorbeeld tijdens de eerste inregelprocedure of omdat u zo weinig mogelijk kabels in "het zicht" wilt hebben. In dat geval kunt u met de meegeleverde korte kabels de twee positieve en negatieve klemmen doorverbinden (figuur 3).

Schuif de platte connector in de opening aan de zijkant van de ene klem en de pen in het ronde gat aan de zijkant van de andere klem. Er blijft voldoende ruimte over om een platte connector (van de kabel die komt van de versterker) in dezelfde klem te schuiven als waar de pen al zit.

De positieve (+/rode) klem van de versterker moet u aansluiten op de positieve (+/rode) klem van de luidspreker en de negatieve (-/zwart) op de andere luidsprekerklem. Het is belangrijk om de juiste polariteit te handhaven bij het aansluiten van een luidsprekerpaar. Een foutje veroorzaakt een vaag stereobeeld en een zwak laag.

Gebruikt u wel de Bi-Wiring methode, dan is de juiste polariteit dubbel zo belangrijk: zowel voor de frequentieweergave van elke luidsprekereenheid op zich als voor de juiste balans tussen de linker en rechter luidspreker. In dit geval mag u de doorluskabels niet gebruiken: ze sluiten de uitgang namelijk kort en kunnen de versterker beschadigen.

## Plaatsing

Bepaal eerst de optimale positie voor de luidspreker, voordat u de montagebeugel op de muur bevestigt.

## Vervormen van TV-beelden

LET OP: De luidspreker heeft een statisch magnetisch veld dat ook buiten de behuizing aanwezig is. Daarom moet de luidspreker op tenminste 0,5 m afstand staan van alle apparatuur die beïnvloed kan worden door zo'n veld, zoals bijvoorbeeld het beeldscherm van TV en computer, floppy disks, videobanden, credit cards, etc.

Daarom kan de Signature™SCM uitsluitend als middenluidspreker worden gebruikt bij een projectiescherm, een plasmascherm of een LCD-scherm: deze zijn namelijk ongevoelig voor magneetvelden.

## Home Cinema

### Surround-luidspreker

Er zijn twee manieren om surround-informatie weer te geven. Bij oudere films is het surround-geluid opgenomen op één kanaal. De weergave had daarom baat bij een overdreven ruimtelijke en omhullende weergave via de surround-luidsprekers zonder enige aandacht voor een nauwkeurige geluidspositionering aan de zij- en achterkant. De moderne 5.1-kanaals film- en audio-opnames hebben echter gescheiden surround-kanalen voor links en rechts waardoor de geluidspositionering veel gedetailleerder is. Toch is de positionering voor zij- en achterkant in het algemeen nooit zo nauwkeurig als voor de hoofd-luidsprekers. Verder worden lang aangehouden tonen beter tussen de luidsprekers gepositioneerd dan korte percussieve: deze hebben de neiging om sterk naar een van de luidsprekers te trekken. Het is ook moeilijk om een goede positionering te krijgen voor alle luisteraars als het luistergebied relatief groot is ten opzichte van het gebied tussen de vijf luidsprekers. Een stabiel geluidsbeeld is sterk afhankelijk van de juiste balans tussen de vijf luidsprekers, de "hot spot" is bovendien nog beperkter dan bij gewoon stereo.

Of u in staat bent surround volledig weer te geven, zoals de producer het bedoeld heeft, hangt voor een groot deel af van huiselijke beperkingen. Dus in hoeverre u de vrijheid heeft om elke luidspreker op de ideale positie naar te zetten en hoe groot het luistergebied is in verhouding tot de totale ruimte.

Er is geen standaard voor de plaats van de surround-luidsprekers ten opzichte van de luisterpositie. De meeste opnames worden echter gemaakt met de surround-luidsprekers op 110° tot 130° ten opzichte van de voorluidsprekers. Zet de luidsprekers binnen deze hoek tegen de muur op een tijdelijke ondersteuning zodat de hoogeenheden op oorhoogte worden geplaatst. Deze eis bepaalt dus of de luidsprekers tegen de zij- of de achtermuur staan. Richt de luidsprekers naar het midden van het luistergebied (figuur 4). Met de muurbeugel kan de luidspreker horizontaal over maximaal 45° worden verdraaid. Luistert u echter in een

stoel met een hoge rugleuning of worden de luidsprekers op een andere wijze afgedekt dan is het raadzaam ze hoger te plaatsen. Goede resultaten zijn mogelijk tot zo'n 60 cm boven oorhoogte.

Wanneer alle luidsprekers geplaatst zijn, luister dan naar een brede muziekselectie (5.1 kanaals audio, actiefilms en drama) en ga ook op alle mogelijke luisterposities zitten. Besteed vooral aandacht aan het surroundgeluid en de stabiliteit van het geluidsbeeld.

Is het geluidsbeeld niet goed, bijvoorbeeld omdat het op de uiterste luisterposities slechts van één kant komt of omdat u de luidsprekers niet binnen het gewenste gebied kunt plaatsen? Probeer dan een meer diffuus geluidsveld te bereiken. Verander de onderlinge hoek van de luidsprekers zodat ze niet direct in het luistergebied stralen. Het kan dan ook goed zijn om de luidsprekers duidelijk boven oorhoogte te plaatsen (figuur 5).

Heeft u eenmaal de juiste positie, bevestigt dan elke luidspreker op zijn definitieve plaats (zie onder).

### Middenluidspreker

De ideale plaats voor een (midden)luidspreker is precies op de centrale as van het beeldscherm (mits deze akoestisch transparant is). In andere gevallen (zoals bij een TV met een normaal of breedbeeldscherm) kan de luidspreker vlak boven of onder het scherm worden geplaatst. Kies altijd die positie waarbij de luidspreker op oorhoogte staat.

### Linker en rechter luidspreker

Zet de luidspreker op 0,5 à 1 m van de zijkant van het scherm.

Als de middenluidspreker achter een transparant scherm staat, plaats de linker en rechter voorluidsprekers dan op exact dezelfde hoogte. Staat de middenluidspreker echter boven of onder het scherm, zet de voorluidsprekers dan ergens tussen het midden van het scherm en de middenluidspreker. Richt de luidsprekers uit voor een zo realistisch mogelijk en stabiel geluidsbeeld.

Voor een zo realistisch mogelijk geluid van een Home Cinema systeem is het belangrijk om het geluidsbeeld aan te passen aan de afmetingen van het scherm en om de onderlinge geluidsniveaus van de verschillende luidsprekers in balans te brengen. Bij kleinere beeldschermen moet u daarom vaak de linker en rechter voorluidsprekers dichter bij elkaar zetten dan bij een normaal stereosysteem.

Regel de geluidsniveaus van de linker, midden en rechter luidsprekers zodanig af dat er een vloeiende "geluidsbeweging" ontstaat als het beeld horizontaal over het scherm beweegt. Regel de surround luidsprekers zo af dat u ze niet hoort, behalve bij speciale effecten die van voor naar achter bewegen.

Tijdens dit inregelen moet u op verschillende luisterposities gaan zitten en uw hoofd heen en weer bewegen, net zo lang tot overal een optimaal resultaat is bereikt.

Lees de gebruiksaanwijzing van uw decoder voor meer informatie over het inregelen van de niveaus.

### Stereo Weergave

Plaats de luidsprekers zodanig dat de hoogeheid zich op oorhoogte bevindt.

Om te beginnen moet u op de volgende zaken letten:

- De luidsprekers en de luisterpositie moeten ongeveer de hoekpunten vormen van een gelijkzijdige driehoek.
- De luidsprekers moeten wel op tenminste 1,5 m afstand van elkaar staan, anders is geen echte stereoweergave mogelijk.

Als het stereobeeld te vaag is, zet de luidsprekers dan minder ver uit elkaar of richt ze te meer naar binnen: precies op of net vóór de luisterpositie (figuur 7).

### Afregelen

Voordat u de installatie gaat afregelen moet u nogmaals de polariteit en stevigheid van de aansluitingen controleren.

Als het geluid te "scherp" is, kunt u meer zachte materialen in de luisterruimte aanbrengen (zoals bijvoorbeeld dikkere gordijnen). Is het geluid echter te dof, dan moet u juist zachte materialen verwijderen.

Kontroleer of er flutterecho's voorkomen: deze verminderen de weergave-definitie aanzienlijk. Klap daarvoor één keer kort in uw handen en luister of u snel opeenvolgende echo's hoort. U voorkomt deze met behulp van onregelmatig gevormde oppervlakken zoals bijvoorbeeld boekenkasten of grote meubelstukken.

De beste weergavekwaliteit krijgt u door de met stof beklede grille te verwijderen zoals staat beschreven in het hoofdstukje "Onderhoud". De hoogeheid is bijzonder kwetsbaar en daarom moet deze grille blijven zitten. De klemring van de grille is echter speciaal ontworpen om de hoogeheid een optimale akoestische omgeving te geven: de weergave zal dus zonder grille juist minder goed zijn.

### Inspeelperiode

Gedurende de eerste luisterperiode zal de weergave van de luidspreker subtiel veranderen. Als de luidspreker bijvoorbeeld in een koude omgeving is opgeslagen geweest, zullen de dempende materialen en de consusophangingen pas na een tijdje hun oorspronkelijke mechanische eigenschappen terugkrijgen. Na enkele speelluren zullen de consusophangingen ook soepeler worden. Hoe lang het duurt voordat de luidspreker zijn maximale prestaties levert, hangt af van hoe hij is opgeslagen geweest en hoe hij wordt gebruikt. Ruwweg duurt het een week voordat de temperatuursinvloed is verdwenen en ongeveer 60 uur van gemiddeld gebruik voordat alle mechanische onderdelen hun optimale eigenschappen hebben.

## Monteren en bevestigen van de beugel

Er worden geen muurschroeven en -pluggen meegeleverd. Gebruik 5 mm schroeven met een ronde kop (maximaal  $\varnothing$  11 mm).

Boor en beplug twee gaten in de muur op 44 mm tussenruimte en 150 mm boven de plek waar de onderkant van de luidspreker zich moet bevinden (figuur 8a). Zorg er wel voor dat de schroeven en pluggen het gewicht van luidspreker plus beugel kunnen dragen, dat geldt vooral voor gipswand. Draai de schroeven in de muur en laat de kop 16 mm uitsteken (figuur 8b).

Monteer de ondersteuningsbeugel op de muurbeugel met de vier M5 schroeven en de 4 mm inbussleutel (figuur 9a).

SteeK de M8 schroef door de sleuf in de ondersteuningsbeugel en draai hem met de 6 mm inbussleutel in de draadbus aan de onderzijde van de behuizing (figuur 9b). Plaats de schroef eerst in de sleuf die het verst afligt van de muurbeugel zodat de andere sleuven goed zichtbaar blijven.

Sluit de kabels op de luidspreker aan en haak de muurbeugel over de schroeven in de muur.

Plaats de luidspreker zo dicht mogelijk tegen de muur, zover als de (eventueel) horizontaal verdraaide positie dit toelaat.

Wanneer u de luidspreker in een andere verticale hoek wilt zetten, dan adviseren we u om een OmniMount 30.0 Serie muurbeugel te gebruiken in plaats van de meegeleverde beugel. U bevestigt de muurbeugel op de vier draadbussen in de onderzijde van de luidspreker.

### Andere apparatuur

Luidsprekers van deze kwaliteit verdienen de allerbeste audiosignalen. Kies daarom uw andere elektronische apparatuur en kabels zorgvuldig uit. We kunnen u informatie geven over waar u op moet letten bij de aanschaf van de rest van de apparatuur. We kunnen echter geen bepaalde merken of modellen adviseren: de kwaliteit van audio-apparatuur verbetert namelijk continu. Uw dealer is echter het beste in staat om u de bijpassende en modernste producten te demonstreren.

In de gegevens is de belastbaarheid opgegeven als (bijvoorbeeld) "geschikt voor versterkers van 25 tot 120 WRMS". De hoge waarde wordt bepaald door de maximale belastbaarheid van de luidspreker. Daarbij mag de versterker niet vervormen (of "clippen" wat het frequentiespectrum verandert) en geldt de waarde voor normaal programmatuur: dus niet voor testsignalen van toongeneratoren en dergelijke. De lage waarde is het minimum dat volgens ons nodig is om in een kleinere ruimte (minder dan 50 m<sup>3</sup>) een normaal geluidsniveau te halen zonder hoorbare vervorming. Hoe meer vermogen, hoe minder snel de versterker zal "clippen" en dus vervormen. U kunt aan de gegevens vaak al zien hoe goed een versterker een complexe luidsprekerbelasting aan kan. Vergelijk daarvoor de vermogens bij 4  $\Omega$  en 8  $\Omega$ : hoe dichter de verhouding bij 2:1 ligt,

hoe beter. Dat is namelijk een indicatie dat de versterker voldoende uitgangsstroom kan leveren.

De impedantie van de kabel moet voor alle frequenties (en gemeten met de positieve en negatieve aders in serie) zo laag mogelijk zijn en zeker minder dan 0,1  $\Omega$ . Alleen dan is gegarandeerd dat het effect van de kabel op de frequentieweergave van de luidspreker onhoorbaar zal zijn. Bij lage frequenties is de gelijkstroomweerstand van de kabel het belangrijkste. Kies daarom voor de gewenste lengte een kabel die dik genoeg is om de laagste weerstand te geven. Voor het midden en hoog wordt het inductieve aandeel groter dan de gelijkstroomweerstand. Dit effect wordt, samen met andere eigenschappen van de kabelconstructie, belangerijker. Uw B&W-leverancier kan u adviseren: de beste kabel hangt dus af van de te gebruiken lengte en toepassing.

### Onderhoud

De fineer afwerking hoeft normaliter alleen te worden afgestoft. De behuizing kan worden behandeld als elk ander meubelstuk. Voordat u de grille gaat schoonmaken, moet u deze eerst van de luidspreker afhalen; trek hem daarvoor voorzichtig aan de randen naar voren. Het materiaal kan dan met een normale kledingborstel of zo iets worden schoongemaakt. Gebruikt u een reinigingsmiddel in spuitbus, spuit dit middel dan eerst op een doek. Doe dit echter wel op een afstandje van de grille en (in het bijzonder) van de luidsprekervoorkant en -eenheden.

Raakt u s.v.p. de luidsprekereenheden niet aan, vooral de hoogeheid niet, omdat anders onherstelbare schade kan ontstaan.

# Dansk

## Begrænset garanti

Kære kunde

Velkommen til B&W.

Dette produkt er designet og fremstillet efter de højeste kvalitetsstandarder. Hvis der imidlertid skulle være noget galt med dette produkt garanterer B&W Loudspeakers og dets nationale distributører vederlagsfri arbejdskraft (der kan forekomme indskrænkninger) og reservedele i alle lande, der har en officiel B&W-distributør.

Denne begrænsede garanti gælder i en periode på fem år fra købsdatoen eller to år for elektronik inkl. forstærkerhøjttalere.

### Vilkår og betingelser

- 1 Garantien er begrænset til reparation af anlægget. Hverken transport, andre omkostninger eller evt. risiko forbundet med flytning, transportering og installation af produktet er omfattet af nærværende garanti.
- 2 Garantien gælder kun for den originale ejer. Garantien kan ikke overdrages.
- 3 Garantien finder kun anvendelse ved materiale- og/eller fabrikationsfejl, der var til stede på købstidspunktet, og den dækker ikke:
  - a. skader forårsaget af forkert installering, tilslutning eller indpakning,
  - b. skader forårsaget af anden brug end den i brugermanualens anførte og korrekte brug, forsømmelighed, modifikationer eller brug af reservedele, der ikke er fremstillet eller godkendt af B&W,
  - c. skader forårsaget af defekt eller uegnet tilbehør,
  - d. skader forårsaget af hændelige uheld, lyn, vand, ild, varme, krig, offentlige uroligheder eller andre årsager, der ligger udenfor B&W og dets udpegede distributørers rimelige kontrol,
  - e. for produkter hvis serienummer er ændret, udvisket, fjernet eller gjort ulæseligt,
  - f. hvis der er udført reparationer eller modifikationer af en ikke godkendt person.
- 4 Nærværende garanti er et supplement til alle nationale/regionale lovkrav til forhandlere eller nationale distributører og griber ikke ind i Deres lovfæstede rettigheder.

### Således fremsætter De reparationskrav i henhold til garantien

Hvis det skulle blive nødvendigt med servicering, bedes De følge efterfølgende procedure:

- 1 Hvis anlægget bruges i det land, hvor det var købt, skal De kontakte den af B&W godkendte forhandler, fra hvem De købte anlægget.

- 2 Hvis anlægget bruges udenfor det land, hvori det var købt, skal De kontakte den nationale B&W-distributør i bopælslandet, som vil advisere Dem om, hvor anlægget kan blive serviceret. De kan ringe til B&W i UK eller besøge vores website for at indhente oplysninger om, hvem der er Deres lokale distributør.

For at validere Deres garanti, skal De forevise dette af Deres forhandler på købstidspunktet udfyldte og stemplede garantihæfte. Eller som et alternativ skal De komme med den originale faktura eller andet bevis på ejerforhold samt købsdato.

## Brugsanvisning

### Introduktion

Tillykke med dine nye højttalere, og tak for at du valgte Bowers and Wilkins.

Dine Signature™ Serie højttalere er præstations gengivere, indeholdende mange nyskabende teknikker som er unikke for B&W, og som er i stand til at gengive optaget lyd i højeste kvalitet. For at højttalerne kommer til at yde deres optimale, er det vigtigt, at du giver dig god tid og er omhyggelig i installationsfasen. Især er det vigtigt, at du betragter lytterummet som en del af højttaleren, da rummets akustik kan have en væsentlig effekt på den endelige lyd kvalitet.

Signature™SCM er en flad højttaler designet for vægmontering, primært beregnet som baghøjttaler i forbindelse med andre Signature™ Serie højttalere. Men den kan selvfølgelig benyttes over alt, hvor en flad højttaler er påkrævet, vær dog opmærksom på kommentarene i denne manual vedrørende magnetisk afskærmning.

B&W har et netværk af udvalgte distributører i over 60 lande, som kan være behjælpelige, hvis der skulle opstå et problem som din forhandler ikke kan løse.

### Udpakning (figur 1)

- Fold emballage-enderne ud til siden og vend emballagen samt indhold forsigtigt på hovedet
- Loft emballagen op og fri af indholdet
- Fjern den inderste emballage fra produktet

Vi anbefaler at emballagen gemmes til evt senere brug.

Tjek emballagen for:

- 2 terminal link kabler
- 1 pudsekud
- 1 garantibetingelser
- 1 aluminium vægplade
- 1 aluminium støtteplade

- Plastpose indeholdende:
  - 4 M5 monteringsskrue
  - 1 M8 monteringskrue
  - 3 mm umbraconøgle
  - 6 mm umbraconøgle

### Tilslutning

Alle tilslutninger skal foretages medens apparaterne er slukkede.

Højttaleren er på bagsiden udstyret med 2 par terminaler, hvilket muliggør bi-wiring. Det nederste par forsyner bassen og det øverste par forsyner mellemtonen og diskanten.

Terminalerne er isoleret for at undgå, at der på nogen måde kan opstå elektrisk-chok – selv ved brug af de kraftigste forstærkere. De kan bruges sammen med forskellige former for kabeltermenering og kan tilpasses de fleste behov (figur 2).

Bi-wiring er den foretrukne tilkoblings-metode, som kræver brug af separate kabler fra forstærkeren til hvert par af terminaler. Separationen af signalvejen giver en bedre opløsning af svage detaljer og tillader brugen af optimale kabler for henholdsvis bas og diskant (figur 3).

Hvis du ikke ønsker at bi-wire, fx for at undgå tykke kabler eller brug af flere kabler, kan de medfølgende "link-kabler" benyttes til, at forbinde de 2 minus (–/sort) terminaler og de 2 plus (+/rod) terminaler.

Når link-kablerne benyttes, sættes "spadestikket" fast i den ene terminal og "pinstikket" i den anden. Der er plads nok i terminalen til, at der kan sættes et spadestik fra forstærkeren i samme terminal som pinstikket.

Sørg for, at hver af de positive (+/rod) terminaler på højttaleren er forbundet til den positive output-terminal på forstærkeren og hver af de negative (–/sort) til negativ output-terminal på forstærkeren. Forkert tilkobling kan resultere i et dårligt perspektiv og mangel på bas.

Når der bi-wires, skal link-kablerne ikke benyttes. Vær ekstra opmærksom på at forbinde minus og plus rigtigt, da højttaleren ellers kan komme til at spille i modfase, hvilket påvirker delefilterets frekvensrespons, og hvis link-kablerne stadig sidder der, kan medføre kortslutning af forstærkerens output-terminaler.

### Opstilling

Vær sikker på den optimale placering af højttaleren for monteringsbeslaget fastgøres til væggen.

### Magnetisk udstråling

Højttalerens enheder skaber magnetiske felter, der på trods af kabinettet, vil udstråle fra højttaleren. Vi anbefaler derfor, at magnetisk-påvirkelige produkter (tv og computer-skærme, disketter, audio og video-bånd, kredittkort mv) holdes minimum 0,5 meter fra højttaleren.



Derfor er Signature™SCM kun anvendelig som centerhøjtaler ved brug sammen med en bagprojektions-, plasma-, eller LCD tv-skærm, som ikke påvirkes af magnetisk udstråling.

## Hjemmebiograf

### Som baghøjtaler

Der er hovedsaglig to måder at gengive surround information på. Ældre filmlyd, hvor surround information var indspillet i kun en kanal, benyttede en meget diffus gengivelse fra baghøjtalerne, hvor man ikke forsøgte at lave en fokusering mod siderne eller bagud. De mere moderne 5.1 kanals indspilninger af både film og musik har diskrete højre og venstre baghøjtaler, som giver et mere præcist perspektiv. Dog er fokusering mod siderne normalt ikke så tydelig og præcis som på fronthøjtalerne. Vedvarende toner er lettere at placere mellem højtalerne end korte anslag, der kan virke diffuse. Det er svært at opnå et godt perspektiv for flere deltagere, hvis lytte-området er en betydelig del af området mellem de fem højtaler. Et godt perspektiv afhænger af, at den rette balance mellem alle fem højtaler opnåes – og "hot spot" effekten er endnu mere præcis end ved 2 kanals lyd.

Med dette i tankerne, vil din succes med at opnå det lydbilled, produceren havde tænkt sig, i høj grad afhænge af indretningsmulighederne – kan alle højtalerne placeres i den optimale position, og hvor mange deltagere skal kunne lytte med.

Der findes ingen standard for, hvor meget baghøjtalerne eventuelt skal vinkles, men de fleste optagelser er lavet med baghøjtalerne placeret mellem 110 og 130 grader fra centerhøjtaleren. Placer højtalerne så diskanten er nogenlunde i ørehøjde og vinkel dem mod centrum af lytte-området (figur 4). Vægbeslagene tillader, at højtalerne kan justeres horisontalt op til 45 grader. Hvis der benyttes stole med højt rygglæn, eller hvis højtalerne på ander vis er delvis tildækket, kan det være en fordel at placere dem højere oppe. Et godt resultat kan opnåes med en placering på op til 60 cm over ørehøjde.

Med alle højtalerne placeret for indledende lyttetest, testes med forskellige typer program materiale – 5.1 kanals lyd, action og mere stille film – og alle lyttepositionerne prøves. Vær især opmærksom på lyden fra baghøjtalerne og stabiliteten i perspektivet.

Hvis perspektivet ikke er tilfredsstillende, hvis lyden for eksempel bliver for markant i den ene side, når der lyttes fra de yderste pladser i lytte-området, kan det være en bedre løsning at forsøge at opnå en mere diffus gengivelse. Dette kan give et bedre resultat i svære situationer. Prøv at ændre vinklen på højtalerne således, at de peger væk fra lytte-området. Det kan også være en fordel, at placere højtalerne et godt stykke over ørehøjde (figur 5).

Når den bedste placering er fundet, fastgøres højtalerne (se neden for).

### Som centerhøjtaler

Hvis du benytter et projektiions-tv med en lyd-transparent skærm, placeres højtaleren i midten bag skærmen. Ellers placeres den direkte over eller under skærmen, alt efter hvad der er tættest på ørehøjde.

### Som højre og venstre fronthøjtaler

Placer højtaleren med en afstand til skærmen på mellem 0,5 m og 1 m.

Hvis centerhøjtaleren er placeret bag en akustisk transparent skærm, placeres højre og venstre fronthøjtaler så vidt muligt i samme højde. Hvis centerhøjtaleren er placeret over eller under skærmen, bør højden på fronthøjtalerne være midt imellem højden på centerhøjtaleren og midten af skærmen. Juster vinklen på højtalerne for at opnå det mest realistiske perspektiv.

For at opnå et realistisk lydbilled ved surround sound brug, er det vigtigt, at højtalerne placeres rigtigt i forhold til billedskærmens størrelse. Ved brug af en lille billedskærm kan det fx give en mere realistisk oplevelse, hvis højtalerne placeres tættere på hinanden end ved almindelig musiklytning.

Juster lydstyrken i de tre front højtalerne således, at lyden bevæger sig flydende mellem dem, i takt med billedaktiviteten på skærmen. Baghøjtalerne justeres til et niveau, hvor du ikke nødvendigvis lægger mærke til dem, de skal kun kunne høres ved special lyd-effekter.

Afprøv alle de forskellige lyttepositioner når de optimale lyd-indstillinger skal foretages.

Vi henviser til brugsvejledningen for de dekoderen, for yderligere oplysning ved lyd-indstilling.

### 2-kanals stereo

Monter højtalerne således, at diskanterne er nogenlunde i ørehøjde.

Vejledende råd (figur 6):

- Afstanden til højtalerne og mellem dem illustreres oftest ved en ligebeinet trekant. Optimalt skal afstanden fra lyttepositionen til højtalerne være minimum den samme (gerne lidt mere) som afstanden mellem de to højtalerne. De to højtalerne skal placeres ens i forhold til gulv og vægge, ellers vil de spille forskelligt.
- Sørg for at der minimum er 1 meter mellem højtalerne for at opnå optimal kanalseparation.

Hvis stereoperspektivet lider under, at der opstår et "hul" mellem de to højtaler, kan det forsøges, at rykke højtalerne tættere sammen eller at vinkle dem en smule mod lyttepositionen, for at kompensere for afstanden mellem dem.

### Fin-indstilling

For du begynder på fin-indstillingen er det en god ide, at tjekke alle tilslutninger endnu engang.

Hvis lyden bærer præg af at være "hård" i klangen, kan det være en god ide at få flere bløde møbler ind i lytterummet (fx tæpper, gardiner, stofsofa mv). Er lyden derimod

"mørk, ulden og livløs", kan det være en god ide at undgå bløde møbler.

Hvis lyden er meget "rungende" (meget ekko når der fx klappes i rummet), er det en god ide at bryde store ensartede flader (fx vægge) ved hjælp af bogreoler og andre store møbler.

Ved meget intens og kritisk lytning, kan stoffronten fjernes som beskrevet i sektionen "vedligeholdelse" herunder. Diskanten er meget udsat, hvorfor fronten her ikke bør fjernes, men blive på for beskyttelse. Diskant-fronten er derfor designet til, at være en del af den optimale gengivelse, fjernes fronten vil gengivelsen være mindre "rolig" og behagelig.

### Tilspilning

Højtalerens præstation vil ændre sig i løbet af den første tilspilningsperiode. Har højtaleren været opbevaret i et koldt miljø, vil det tage noget tid for dæmpnings- og fjedermatrixer i enhederne igen har opnået deres mekaniske proportioner. Desuden vil kantophængnet i enhederne blive blødere i løbet af de første timer der spilles. Tilspilningsperioden, tiden inden højtaleren leverer sit optimale, vil variere alt efter under hvilke forhold den har været opbevaret og hvordan den bruges. Regn med, at det vil tage op til en uge for temperaturpåvirkningen har stabiliseret sig og mindst 60 timers vedvarende brug, for de mekaniske dele har opnået deres forventede karakteristika.

### Samling og montering af beslaget

Skruer og rawplugs til vægmontering er ikke vedlagt. Benyt rundhovede skruer med en max diameter på 5 mm og en max diameter på hovedet på 11 mm.

Bor to huller i væggen, 150 mm over, hvor bunden af højtaler kabinettet vil være, og med en horisontal afstand på 44 mm (figur 8a). Vær særlig opmærksom på, at skruer og rawplugs kan bære vægten af både højtaler og beslag, især ved montering på gipsvæg. Fastgør skruerne i væggen således, at skruer-hovedet sidder frit 16 mm fra overfladen (figur 8b).

Montrø støtteleddet på væggen ved hjælp af de fire M5 skruer og 4 mm umbraconøglen (figur 9a).

For M8 skruen igennem sprækken i støtteleddet og ind i bagpanelet, benyt 6mm umbraconøglen (figur 9b). Placer skruen foran det hul, der sidder længst væk fra vægpladen, således at skruelhullerne er helt synlige.

Forbind kablet til højtaleren og hæng vægpladen over skruerne i væggen.

Juster højtaleren, så den kommer så tæt på væggen som muligt – dog stadig med mulighed for at kunne vinkle den.

Skulle du få brug for, at kunne justere den vertikale vinkel på højtaleren, anbefaler vi, at du benytter et OmniMount 30.0 vægbeslag istedet for det medfølgende. Det monteres i de fire huller i bunden af højtaleren.

## Valg af anlægskombination

Højttalere i denne klasse, fortjener signaler af højeste kvalitet. Vælg derfor dit elektroniske udstyr og signalkabler med omhu. Vi kan vejlede i, hvad der skal kigges efter når anlægget skal sammensættes, men ikke anbefale bestemte produkter. Udviklingen gør, at der hele tiden sker forbedringer og sættes nye standarder. Din forhandler vil være i stand til, at demonstrere forskellige passende produkter der er up-to-date.

I specifikationerne anbefaler vi en række udgangseffekter for forstærkere. Den højeste udgangseffekt angiver højttalerens maksimale belastning. Ved udregning af den maksimale belastning antages det, at forstærkeren ikke "klipper" (forvrænger) og at der spilles med normal indspillet materiale. Testoner fra en tonegenerator eller lignende er ikke brugbart. Den laveste udgangseffekt angiver, hvad vi minimum mener der skal til for, at opnå et rimeligt uforvrænget lydniveau i et mindre rum (50 m<sup>3</sup>). Des højere effekt du har til rådighed, des mindre er sandsynligheden for, at forstærkeren vil begynde at klippe. Ofte kan man se, hvor god en forstærker er til at trække et par højttalere ved, at se på udgangseffekten i 4 Ω og 8 Ω. Des tættere forholdet er på 2:1 des bedre, da det indikere en god strømstyrke.

For at minimere kablets effekt på højttalerens frekvensområde i ikke hørebare områder, bør kablets impedans ved alle frekvenser (målt med både plus og minus ledere i serie) være så lavt som muligt – og i hvert fald under 0,1 Ω. Ved lave frekvenser er DC modstanden i kablet den vigtigste faktor og du bør derfor vælge et kabel med en tykkelse der gør, at ovennævnte impedans krav kan overholdes – også ved brug af lange kabler. Ved mellem og høje frekvenser kan den induktive bestanddel af impedansen dominere DC modstanden. Dette og andre forhold, som er påvirket af kablets opbygning, er af væsentlig betydning. Spørg din forhandler til råds om kabler der er passende og som dækker dit behov.

## Vedligeholdelse

Højttalere kræver normalt ingen speciel vedligeholdelse. Kabinettet kan evt afstøves med en let fugtig klud. Hvis der er rigtig træfinner på kabinettet, kan det være en god ide at behandle træet med olie eller lignende beskyttelse.

Undgå at berøre højttaler-enhederne, især diskanten, da de let kan blive beskadiget.

# Svenska

## Begränsad garanti

Välkommen till B&W!

Denna produkt har tillverkats enligt högsta kvalitetsstandard. Om något mot förmodan skulle gå sönder garanterar B&W och dess återförsäljare att utan kostnad (vissa undantag finns) reparera och byta ut reservdelar i alla länder som har en officiell B&W-distributör.

Denna begränsade garanti gäller i fem år från inköpsdatum, och i två år för elektronisk produkter, inklusive högtalare med inbyggda förstärkare.

### Villkor

- 1 Garantin gäller endast reparation. Varken transport- eller installationskostnader eller andra kostnader täcks av garantin.
- 2 Garantin gäller endast ursprungliga köparen och överförs inte om produkten säljs i andra hand.
- 3 Garantin täcker inga andra skador än reparation av felaktiga material eller komponenter eller felaktigt arbete utfört före inköpstillfället. Garantin täcker således inte:
  - a skador som uppstått vid felaktig installation eller uppackning,
  - b skador som uppstått vid annat bruk än det som uttryckligen beskrivs i instruktionsboken, till exempel försumlighet, modifiering eller användande av delar som inte tillverkats eller godkänts av B&W,
  - c skador som uppstått på grund av kringutrustning,
  - d skador som uppstått på grund av blixtnedslag, eldsvåda, överspänning, krig, upplopp eller andra händelser som rimligtvis inte kan kontrolleras av B&W och dess distributörer,
  - e produkter som saknar eller har ändrade serienummer,
  - f produkter som reparerats eller modifierats av icke-godkänd person.
- 4 Denna garanti är ett komplement till nationella lagar och bestämmelser och påverkar inte kundens lagliga rättigheter och skyldigheter.

### Så använder du garantin

Gör så här om du behöver använda dig av garantin:

- 1 Om produkten används i inköpslandet kontaktar du den auktoriserade B&W-handlare som du köpte produkten av.
- 2 Om produkten används i ett annat land kontaktar du den nationella distributören som kan ge dig instruktioner om var du kan få produkten reparerad. Om du vill ha information om vem distributören är kan du ringa till B&W i Storbritannien eller besöka vår hemsida.

För att garantin skall gälla behöver du visa upp detta häfte, ifyllt och stämplat av din handlare vid köptillfället. Faktura eller annat

ägarbevis med information om inköpstillfället kan också behövas.

# Bruksanvisning

## Introduktion

Tack för att ni valt Bowers and Wilkins högtalare.

Dina Signature™ Serie högtalare är precisions instrument som innehåller flera nya innovativa tekniker som är unika för B&W och kapabla att återge inspelat ljud med högsta kvalitet. För att få högtalarna att ge sitt yttersta är det viktigt att lägga ner tid och omsorg på att se till att installation och placering blir korrekt utfört. Det är viktigt att du betraktar lyssningsrummet som en förlängning av högtalaren. Rummets akustiska egenskaper kan ha en stor inverkan på den slutgiltiga ljudkvaliteten.

Signature™SCM är en grund högtalare designad för montering på väggen och för att användas som surround högtalare tillsammans med övriga Signature™ seriens högtalare. Den kan även användas i andra installationer där en grund högtalare är bäst lämpad, men var noggrann att observera nedanstående kommentarer gällande magnetisk skärmning.

B&W har ett nätverk av dedicerade distributörer i över 60 länder som kan hjälpa dig i de fall du har problem som din handlare inte kan lösa.

## Uppackning (figur 1)

- Vik tillbaka filkarna och vänd hela kartongen upp och ner.
- Lyft kartongen så att högtalaren går fri.
- Tag bort packmaterialet.

Vi föreslår att du sparar packningen för framtida bruk.

Kontrollera att följande finns med i kartongen:

- 2 kablar till terminalerna.
- 1 rengöringstrasa.
- 1 garantibok.
- 1 väggfäste i aluminium.
- 1 stödplatta i aluminium.
- Plastpåse innehållande:

- 4 M5 skruv.
- 1 M8 skruv.
- 3 mm Skruvnyckel.
- 6 mm Skruvnyckel.

## Anslutningar

Alla anslutningar skall göras med hela utrustningen avslagen.

Det finns 2 par terminaler på baksidan av högtalaren som möjliggör bi-wiring. Det nedre paret är ingång för basen/mellanregistret och det övre till diskanten.

Terminalerna är isolerade för att förhindra risken för elektriska stötar, även när högtalarna används med effektförstärkare med mycket hög uteffekt. De kan användas med de flesta förekommande typer av kabelanslutningar och passar i de flesta applikationerna.

Bi-wiring är att föredra som anslutningsmetod och innebär att man använder separata kablar från förstärkaren till varje terminalpar. När man separerar de olika signalvägarna förbättras ljudets upplösning av mikrodetaljer och tillåter att användaren kan optimera varje kabel till respektive register (figur 2).

Om du inte skulle vilja använda bi-wiring, kanske under installationen eller för att du inte vill ha flera kablar liggande på golvet, följer det med korta kablar för att koppla ihop de olika terminalparen med (figur 3).

När man använder de korta förbindelsekablarna skall spaden tryckas in i den springa som finns på sidan på ena terminalen och den med pinnkontakten i det runda sidohålet på den andra. Det är tillräckligt avstånd för att trycka in en spadkontakt från förstärkaren in i samma terminal som den med pinnkontakten.

Försäkra dig om att den positiva terminalen på högtalaren (rödfärgad) är ansluten till den positiva utgångsterminalen på förstärkaren och den negativa (svartfärgad) till den negativa. Felaktig hopkoppling resulterar i diffus stereoperspektiv och dålig basåtergivning.

När man använder bi-wiring skall man inte använda förbindelsekablarna. Var extra noga med att kontrollera polariteten på anslutningarna då felaktigt inkoppling försämrar frekvensgången genom bas-mellanregistrets delningsfilter och, om förbindelsekablarna lämnas kvar, kan de orsaka skada på förstärkaren genom kortslutning av utgångsterminalerna.

## Placering

Innan du monterar väggfästet bör du bestämma den optimala placeringen av högtalaren.

## Magnetfält

Högtalarelementen skapar ett starkt magnetiskt fält som sträcker sig utanför själva kabinettet. Vi rekommenderar att utrustning som är känslig för magnetisk strålning (TV- och datorskärmar, diskettstationer, ljud- och videokassetter och dylikt) placeras minst en halv meter från högtalarna för att undvika störningar.

Signature™SCM är därför endast lämplig att använda som center högtalare tillsammans med en bildkälla som inte påverkas av magnetisk strålning t ex projektor, plasma eller LCD skärm.

## Hemmabio

### Som centerkanalshögtalare

Det finns huvudsakligen två sätt att presentera surround information. Surround informationen på äldre filmer är endast inspelad som en kanal. Fördelen är att ljudet från surround högtalarna blir mycket luftigt och samtidigt helt omslutande dock utan att kunna ge en precis bakre ljudbild.

De mer moderna 5.1 kanals inspelningarna för både musik och film har separat höger och vänster surroundinformation, vilket ger en mer precis ljudbild. I jämförelse med de äldre högtalarna är ljudbilden dock inte lika exakt.

Det är enklare att mer exakt positionsbestämma en lång ton än en kort. Ett problem är att ge en exakt ljudbild åt alla lyssnare om lyssningspositionen är en stor del av ytan mellan de fem högtalarna. För att få en stabilitet i ljudbilden är det viktigt att hitta den rätta balansen mellan de fem högtalarna och lyssnarpositionen, vilken är mer begränsad än vid stereo återgivning.

Med detta i åtanke, betyder rummets begränsningar och dina möjligheter att fritt placera högtalarna i ideala positioner mycket för återskapandet av producentens intentioner med surround ljudet.

Någon enhetlig standard för vilken vinkel som surroundhögtalarna bör ha finns inte, men de flesta inspelningarna är gjorda med surroundhögtalarna placerade mellan 110° och 130° från främre centrat. Börja med att placera högtalarna mot väggen inom dessa vinklar, använd ett temporärt stöd som placerar diskanterna i öronhöjd. Detta avgör om du skall placera högtalarna på sido- eller bakvägg. Rikta högtalarna mot centrum av lyssningspositionen (figur 4). Väggfästet gör det möjligt att vrida högtalaren horisontalt upp till 45°. Om du har en fåtölj med hög rygg eller om högtalarna på annat sätt skymms kan du med fördel höja högtalarna något. Det bästa resultatet uppnås om höjningen ej överstiger 60 cm över öronhöjd.

När du placerat ut högtalarna för ett första lyssningstest, använd ett programmaterial med stor bredd. – 5.1 kanals musik, action och lugna filmscener – lyssna från alla lyssnar positioner och uppmärksamma speciellt surroundinformationen och stabiliteten i ljudbilden.

Om du inte är nöjd med ljudbilden, t ex att ljudet upplevs ensidigt när du sitter i ytterkanten av det tänkta lyssningsområdet eller om du inte kan placera högtalarna på rätt avstånd från lyssningsområdet, är det kanske bättre att rikta högtalarna för en mer diffus ljudbild. Vid vissa tillfällen då högtalarna är svårplacerade kan detta ge ett bättre resultat. Försök att ändra vinkeln på högtalarna så att de pekar bort från lyssningsområdet. Att placera högtalarna betydligt över öronhöjd kan också vara fördelaktigt i vissa situationer (figure 5).

När du har funnit den optimala positionen för högtalaren, fixerar du den permanent (se nedan).

### Som centerkanalshögtalare

Om högtalarna används tillsammans med en projektor med en akustiskt transparent duk kan de placeras bakom duken. Annars bör högtalarna placeras direkt ovanför eller under duken, beroende på i vilket läge de hamnar närmast öronhöjd i förhållande till lyssningspositionen.

## Som höger- och vänsterkanalshögtalare

Placera högtalaren på ett avstånd av 0,5 till 1 från TV-skärmens sid.

Om centerhögtalaren är placerad bakom en ljudtransparent filmduk bör du placera höger och vänster högtalare, på samma höjd och så nära som möjligt. Om centerhögtalaren däremot är placerad under eller över skärmen bör sidohögtalarna vara placerade på en höjd mellan centrum av skärmen och centerhögtalaren. Vinkeln på högtalarna justeras till sist för att uppnå bästa möjliga realism och stabilitet i ljudbilden.

För att erhålla största möjliga realism i hemmabiosammanhang är det viktigt att se till att stereobilden överensstämmer med storleken på bilden. Med en mindre bildyta kan det vara bra att flytta högtalare närmare varandra än vad som är brukligt i musiksammanhang.

Justera nivåerna mellan de tre fronthögtalarna så att de spelar lika högt. Detta är viktigt för att få en jämn och mjuk övergång mellan de tre högtalarna när ljudet rör sig mellan dem. Nivån i bakhögtalarna skall justeras så att de inte drar till sig uppmärksamheten, utom vid enstaka ljudeffekter.

När Ni justerar ljudnivåerna bör Ni förflytta Er mellan alla tänkbara lyssningspositioner så att ljudet ställs in optimalt.

Läs in surroundkoderns manual för mer information om inställningarna.

## Tvåkanals stereo ljud

Placera högtalarna så att diskanten sitter i ungefärlig öronhöjd.

Snabbguide (figur 6):

- Placera högtalarna och lyssningspositionen ungefär som hörnen på en liksidig triangel.
- Högtalarna bör placeras med minst 1,5 m mellanrum för att högervänster perspektivet skall bibehållas.

Om det är svårt att fokusera en mittbild mellan högtalarna bör Ni flytta dem närmare varandra eller vinkla in dem en aning mot mitten (figur 7).

## Finjustering

Innan Ni påbörjar eventuell finjustering skall Ni kontrollera att alla anslutningar är korrekt och säkert utförda.

Om ljudet låter hårt så kan man prova med att öka mängden mjuka, stoppade möbler i rummet (eller t.ex. tunga gardiner), eller minska på detsamma om ljudet är för dämpat och livlöst.

Testa om du har fladderekon genom att klappa i händerna och lyssna efter snabba, nästan ringande ekan. De minskar du med olikformade möbler såsom bokhyllor och andra stora möbler.

När du lyssnar koncentrerat rekommenderar vi att du tar bort bas och mellanregister gallren som det beskrivs i delen "Underhåll". Diskanthögtalaren är mycket ömtålig och dess gallre bör lämnas kvar som skydd. Gallrets fästning är

utformad så att den ger de optimala akustiska förhållandena för diskanten och återgivningen blir faktiskt samma utan gallret.

## Inkörningsperiod

Högtalarens prestanda ändras något under den första perioden den används. Om högtalaren förvarats kallt, behöver dämpmaterialen och upphängningarna på högtalarelementen tid på sig att återfå sina riktiga mekaniska egenskaper. Högtalarelementen kommer också att mjukna under de första timmarna man spelar på högtalaren. Tiden det tar för högtalaren att uppnå den avsedda prestanda varierar beroende på hur högtalaren lagrats och hur den används. Som riktlinje kan man säga att det tar en vecka innan effekterna av temperaturvariationer har försvunnit och 60 timmars spelande för de mekaniska delarna att återfå sina avsedda egenskaper.

## Montering och fixering av fästet

Det finns inga skruv eller plugg medskickade för uppsättning av stativet. Använd inte större än 5,0 mm skruv med runda huvuden på diameter av maximalt 11 mm.

Borra och plugga två hål i väggen, 150 mm från den höjd botten av högtalaren befinner sig och med en horisontal bredd på 44 mm (figur 8a). Var noggrann med kontrollera att skruvar och plugg klarar vikten från högtalare och väggfäste, speciellt vid uppsättning på gipsplattor. Skruva in skruven med huvudet ca 16 mm ovanför ytan (figur 8b).

Använd de fyra M5 skruven och de 4 mm Allen nycklarna för att montera stödplattan på väggen (figur 9a).

Trä M8 skruven genom springan i stödplattan upp i botten av högtalaren, drag åt skruven med den medföljande 6 mm skruvnyckel (figur 9b).

Anslut kabeln till högtalarna och haka på väggfästet över skruvarna i väggen.

Justera avståndet mellan högtalare och vägg så att mellanrummet blir det minsta möjliga, med hänsyn tagen till vinkeln på högtalaren.

Om du behöver justera högtalarens vertikala vinkel, rekommenderar vi att du använder ett OmniMount 30.0 Series väggstativ istället för det medskickade stativet. Detta stativ kan monteras i de 4 gängade hålen i botten av högtalaren.

## Den övriga anläggningen

Högtalare av denna dignitet fjärtjänar signaler av högsta kvalitet. Välj utrustning och kablar med största omsorg. Vi kan ge riktlinjer för vad du skall titta efter när du väljer den övriga utrustningen i din anläggning, men vi kan inte rekommendera specifika produkter. Standarden för sådana produkter förbättras hela tiden och din handlare kan demonstrera olika lämpliga produkter.

I specifikationen rekommenderar en rad olika förstärkareffekter. Den högre siffran visar högtalarens effektivitet. När man

beräknar effektiviteten antas det att förstärkaren inte drivs i klippning, då förvrängs ljudet och signalen får ett onaturligt frekvensspektrum, och att signalen är normalt programmaterial. Testtoner från signalgeneratorer och liknande är inte applicerbara. Den lägra siffran är den minsta effekt vi anser nödvändigt för att kunna nå nödvändiga lyssningsnivåer utan att ljudet förstärks i ett mindre rum (mindre än 50 m<sup>3</sup>). Desto starkare förstärkare du använder desto mindre blir risken för att du överstyr förstärkaren. Man kan ofta se hur bra en förstärkare på att driva komplexa laster genom att jämföra uteffekten i både 4 Ω och 8 Ω last. Ju närmre förhållandet 2:1 man kommer indikerar god strömkapacitet.

För att minska kablarnas effekt på frekvensgången bör kabelns impedans vid alla frekvenser (både positiv och negativ ledare i serie) vara så låg som möjligt och särskilt under 0,1 Ω. Vid låga frekvenser är likströmsresistansen på kabeln den dominerande faktorn och du skall välja en grovlek på kabeln så att impedansen blir tillräckligt låg för den längd du skall använda. Vid mellanregister och diskant frekvenserna är kabelns induktiva impedanskomponenter dominerande över likströmsresistansen. Detta och andra egenskaper som påverkas av kabelns konstruktion blir viktiga för val av kabel. Fråga din handlare om råd för den bästa kabeln för dina behov.

## Underhåll

Högtalarkabinettet behöver vanligtvis endast dammas av. Om Ni skulle behöva använda rengöringsmedel skall frontskyddet först tas bort. Spreja därefter medlet på en trasa och torka sedan av högtalaren. Frontskyddets tyg rengörs enklast med en klädborste.

Undvik att beröra högtalarelementen, diskantelementet är särskilt ömtåligt och går lätt sönder vid beröring.

# Ελληνικά

## Περιορισμένη εγγύηση

Αξιότιμε Πελάτη

Καλωσορίσατε στην B&W.

Το παρόν προϊόν έχει σχεδιαστεί και κατασκευαστεί σύμφωνα με τις υψηλότερες προδιαγραφές ποιότητας. Πάντως, εάν κάποιο πρόβλημα όντως παρατηρηθεί με το προϊόν αυτό, η B&W Loudspeakers και οι εθνικοί της αντιπρόσωποι, εγγυώνται ότι θα παρέχουν χωρίς χρέωση εργασία (μπορεί να ισχύσουν περιορισμοί) και εξαρτήματα σε κάθε χώρα όπου υπάρχει εξουσιοδοτημένος αντιπρόσωπος της B&W.

Η περιορισμένη αυτή εγγύηση ισχύει για μια περίοδο πέντε ετών από την ημερομηνία αγοράς ή δύο ετών για ηλεκτρονικά, συμπεριλαμβανομένων και ενισχυμένων μεγαφώνων.

### Όροι και προϋποθέσεις

- 1 Η εγγύηση καλύπτει μόνο την επισκευή του εξοπλισμού. Η εγγύηση δεν καλύπτει τα έξοδα μεταφοράς, ή οποιαδήποτε άλλα έξοδα, ούτε άλλους κινδύνους για τη μετακίνηση, μεταφορά και εγκατάσταση των προϊόντων.
- 2 Η εγγύηση ισχύει μόνο για τον αρχικό αγοραστή. Δεν μεταβιβάζεται.
- 3 Η εγγύηση δεν θα ισχύει σε περιπτώσεις που δεν σχετίζονται με αστοχία υλικών καλή εργασία συναρμολόγησης κατά τον χρόνο αγοράς και δεν θα ισχύει:
  - a για ζημιές που προκλήθηκαν από λανθασμένη εγκατάσταση, σύνδεση ή συσκευασία,
  - β για ζημιές που προκλήθηκαν από οποιαδήποτε άλλη από τη σωστή χρήση όπως περιγράφεται στο εγχειρίδιο χρήστη, από αμέλεια, από μετατροπές ή από χρήση εξαρτημάτων που δεν κατασκευάζονται ούτε έχουν εγκριθεί από την B&W,
  - γ για ζημιές που προκλήθηκαν από ελαττωματικό ή ακατάλληλο βοηθητικό εξοπλισμό,
  - δ για ζημιές που προκλήθηκαν από ατυχήματα, αστραπές, νερό, φωτιά, θερμότητα, πόλεμο, λαϊκές εξεγέρσεις ή οποιαδήποτε άλλη αιτία υπεράνω του εύλογου ελέγχου της B&W και των εξουσιοδοτημένων αντιπροσώπων της,
  - ε για προϊόντα των οποίων ο αριθμός σειράς έχει μεταβληθεί, διαγραφεί, αφαιρεθεί ή έχει καταστεί δυσανάγνωστος,
  - στ εάν έχουν γίνει επισκευές ή μετατροπές από κάποιο μη-εξουσιοδοτημένο άτομο.

- 4 Η εγγύηση αυτή συμπληρώνει οποιοδήποτε εθνικό / περιφερειακό νόμιμο δικαίωμα αντιπροσώπων ή εθνικών διανομέων και δεν επηρεάζει τα νόμιμα δικαιώματα σας ως καταναλωτού.

## Πώς μπορείτε να ζητήσετε επισκευές υπό την παρούσα εγγύηση

Εάν ο εξοπλισμός χρειαστεί επισκευή, παρακαλώ ακολουθείτε την ακόλουθη διαδικασία:

- 1 Εάν ο εξοπλισμός χρησιμοποιείται στη χώρα όπου αγοράστηκε, επικοινωνήστε με τον εξουσιοδοτημένο αντιπρόσωπο της B&W από όπου αγοράσατε τον εξοπλισμό.
- 2 Εάν ο εξοπλισμός χρησιμοποιείται εκτός από τη χώρα αγοράς, θα πρέπει να επικοινωνήσετε με τον εξουσιοδοτημένο αντιπρόσωπο της B&W στη χώρα που κατοικείτε πού θα σας συμβουλευθεί πού μπορείτε να επισκευάσετε τον εξοπλισμό. Μπορείτε να καλέσετε την B&W στην Βρετανία ή να επισκεφθείτε τη σελίδα μας στο [Internet](#) για να βρείτε πληροφορίες ως προς την διεύθυνση του τοπικού σας αντιπροσώπου.

Για να ισχύσει η εγγύηση αυτή, θα πρέπει να έχετε μαζί σας το παρόν γχειρίδιο εγγύησης συμπληρωμένο και σφραγισμένο από τον αντιπρόσωπό σας την ημέρα της αγοράς. Εναλλακτικά, θα χρειαστείτε να δείξετε την πρωτότυπη απόδειξη ή τιμολόγιο ή άλλη απόδειξη ιδιοκτησίας και ημερομηνίας αγοράς.

## Οδηγίες Χρήσεως

### Εισαγωγή

Ευχαριστούμε που επιλέξατε την Bowers and Wilkins.

Τα ηχεία της σειράς Signature™ στην οποία ανήκουν τα ηχεία σας, είναι συσκευές αναπαραγωγής ήχου μεγάλης ακριβείας που ενσωματώνουν πολλές επαναστατικές – ακόμη και για την B&W – τεχνικές, και είναι ικανά να αποδώσουν τον ήχο με την υψηλότερη δυνατή πιστότητα. Προκειμένου όμως η απόδοση των ηχείων να ανταποκρίνεται στις πραγματικές τους δυνατότητες, θα πρέπει να αφιερώσετε κάποιο χρόνο και να δώσετε αρκετή προσοχή στην σωστή τους εγκατάσταση. Συγκεκριμένα, θα πρέπει να θεωρήσετε το χώρο ακρόασης σαν προέκταση των ηχείων, αφού ο ακουστικός χαρακτήρας του μπορεί να επιδράσει σημαντικά στην τελική ηχητική ποιότητα.

Το Signature™SCM είναι ένα εντοιχισμένο ηχείο με μικρό βάθος, σχεδιασμένο κυρίως για να αποδίδει το κανάλι surround, συνεργαζόμενο με άλλα ηχεία της σειράς Signature™. Παρ' όλα αυτά, μπορεί να

χρησιμοποιηθεί οπουδήποτε χρειάζεται ένα ρηχό ηχείο, λαμβάνοντας όμως υπ' όψη και τις οδηγίες σχετικά με τη μαγνητική μόνωση που αναφέρονται πιο κάτω.

Η B&W έχει ένα δίκτυο αποκλειστικών αντιπροσώπων σε περισσότερα από 60 χώρες, οι οποίοι θα μπορούν να σας βοηθήσουν στην περίπτωση που συναντήσετε κάποια προβλήματα που δεν μπορεί να λύσει ο πωλητής σας.

### Αποσυσκευασία (εικόνα 1)

- Ανοίξτε καλά τα επάνω φύλλα του χαρτοκιβωτίου και προσεκτικά γυρίστε το ανάποδα μαζί με το περιεχόμενο.
- Σηκώστε το χαρτοκιβώτιο αφήνοντας το περιεχόμενο κάτω.
- Αφαιρέστε την εσωτερική συσκευασία του ηχείου.

Καλό θα είναι να κρατήσετε τη συσκευασία για ενδεχόμενη μελλοντική μεταφορά των ηχείων.

Ελέγξτε αν στη συσκευασία υπάρχουν τα εξής:

- 2 καλώδια σύνδεσης των ακροδεκτών (σύνδεσμοι).
- πανί καθαρισμού.
- φυλλάδιο εγγύησης.
- φυλλάδιο οδηγιών χρήσης.
- 1 λάμα εντοιχίσης από αλουμίνιο.
- 1 λάμα στήριξης από αλουμίνιο.
- 1 σακούλα από πολυαιθυλένιο που περιέχει:
  - 4 βίδες για υποδοχές M5.
  - 1 βίδα για υποδοχή M8.
  - 1 κλειδί Allen 3 χιλιοστών.
  - 1 κλειδί Allen 6 χιλιοστών.

### Συνδέσεις

Θέστε εκτός λειτουργίας όλες τις συσκευές του συστήματος και μην τις ενεργοποιήσετε πριν κάνετε όλες τις συνδέσεις.

Στην πίσω πλευρά του κάθε ηχείου υπάρχουν 2 ζεύγη ακροδεκτών οι οποίοι επιτρέπουν τη διπλοκαλώδιωση. Το κάτω ζεύγος ακροδεκτών τροφοδοτεί το megάφωνο χαμηλών/μεσαίων και το επάνω τροφοδοτεί το megάφωνο υψηλών.

Οι ακροδέκτες είναι μονωμένοι έτσι ώστε να αποτρέπεται κάθε πιθανότητα ηλεκτροπληξίας – ακόμη και αν τα ηχεία οδηγούνται από πολύ ισχυρούς ενισχυτές – και δέχονται αρκετούς διαφορετικούς τύπους βυσμάτων, για να μπορούν να προσαρμόζονται σε οποιαδήποτε σχεδόν εγκατάσταση.

Η διπλοκαλώδιωση είναι ο καλύτερος τρόπος σύνδεσης ενισχυτή – ηχείων και συνιστάται στη χρήση ξεχωριστών καλωδίων για το κάθε ζεύγος ακροδεκτών των ηχείων. Έτσι, το ηχητικό σήμα προς το megάφωνο χαμηλών μεταφέρεται με διαφορετικό

καλώδια από ότι το σήμα προς τα megάφωνα μεσαίων και υψηλών. Ο διαχωρισμός αυτός των "οδών" του σήματος έχει το πλεονέκτημα ότι βελτιώνει την ανάλυση και την ευκρίνεια και ότι επιτρέπει στο χρήστη να επιλέξει τα καλώδια που ταιριάζουν περισσότερο στο συγκεκριμένο εύρος συχνότητων (εικόνα 2).

Εάν για οποιοδήποτε λόγο δεν θέλετε να διπλοκαλώδιώσετε τα ηχεία (ίσως για να το κάνετε αργότερα ή γιατί δεν θέλετε να υπάρχουν πολλά καλώδια στο χώρο), μπορείτε να συνδέσετε μεταξύ τους τους δύο θύκους και τους δύο αρνητικούς ακροδέκτες με τους συνδέσμοις (μικρά καλώδια) που υπάρχουν στη συσκευασία (εικόνα 3).

Όταν συνδέετε τους ακροδέκτες με τα μικρά αυτά καλώδια, τοποθετήστε τον connector τύπου spade (δίχало) στην υποδοχή που βρίσκεται στο πλάι του ενός ακροδέκτη και το καρφάκι (crimped pin) στην στρογγυλή οπή που βρίσκεται στο πλάι του άλλου. Υπάρχει αρκετός χώρος για να συνδέσετε ένα connector τύπου δίχало από τον ενισχυτή στον ίδιο ακροδέκτη όπου έχετε τοποθετήσει το καρφάκι.

Συνδέστε τον θετικό ακροδέκτη του ηχείου (χρώματος κόκκινου) στον θετικό ακροδέκτη του ενισχυτή, και τον αρνητικό ακροδέκτη του ηχείου (χρώματος μαύρου) στον αρνητικό ακροδέκτη του ενισχυτή. Αν δεν κάνετε τη σύνδεση τηρώντας τη σωστή πολικότητα, είναι πολύ πιθανό να έχετε κακή στερεοφωνική εικόνα και απώλεια χαμηλών συχνοτήτων (μπάσων).

Αν διπλοκαλώδιώσετε τα ηχεία, μην συνδέσετε μεταξύ τους ακροδέκτες με τα μικρά καλώδια. Δώστε ιδιαίτερη προσοχή στην πολικότητα των συνδέσεων, γιατί αν η σύνδεση είναι λανθασμένη δεν θα έχετε καλή απόκριση συχνότητας κατά τον διαχωρισμό μεσαίων – χαμηλών.

### Τοποθέτηση

Βρείτε την καλύτερη δυνατή θέση για το ηχείο, πριν τοποθετήσετε στον τοίχο το βραχίονα στήριξης.

### Ελεύθερα μαγνητικά πεδία

Τα megάφωνα των ηχείων παράγουν ελεύθερα μαγνητικά πεδία τα οποία δεν περιορίζονται στο εσωτερικό της καμπίνας. Για το λόγο αυτό, δεν θα πρέπει να τοποθετείτε τα ηχεία σε απόσταση μικρότερη από μισό μέτρο από συσκευές όπως η τηλεόραση και οι ηλεκτρονικοί υπολογιστές ή μαγνητικά μέσα αποθήκευσης δεδομένων (δισκέτες, κασέτες ήχου και εικόνες, πιστωτικές κάρτες κ.λπ.), που μπορούν να επηρεαστούν από τέτοιου είδους μαγνητικά πεδία.

Για το λόγο αυτό, το SCM είναι κατάλληλο για να αποδίδει το κεντρικό κανάλι μόνο όταν χρησιμοποιείτε προβολική οθόνη, οθόνη χαλαζία ή υγρών κρυστάλλων (LCD), οι οποίες δεν επηρεάζονται από τα ελεύθερα μαγνητικά πεδία.

## Σύστημα Home Theatre

### Ως ηχείο surround

Υπάρχουν δύο βασικοί τρόποι να αποδοθεί η πληροφορία surround. Οι παλιότερες ταινίες, στις οποίες η πληροφορία είναι ηχογραφημένη σε ένα μόνο κανάλι, αναπαράγονται με ένα πολύ “γενικό”, γεμάτο και περιεκτικό τρόπο από τα ηχεία surround, με μία μικρή προσπάθεια να αποδοθεί μία πιο ακριβής και εστιασμένη ηχητική εικόνα στα πλάγια και πίσω. Αντίθετα, στις πιο πρόσφατες εγγραφές με το ψηφιακό σύστημα 5,1 καναλιών (το οποίο εκτός από τις ταινίες εφαρμόζεται πλέον και σε ηχογραφήσεις μουσικής) το δεξί και το αριστερό κανάλι surround είναι σαφώς διαχωρισμένα, γεγονός που κάνει την ηχητική εικόνα ακριβέστερη. Παρ’ όλα αυτά, η πίσω και πλάγια εικόνα δεν μπορούν γενικά να αποδοθούν με την ακρίβεια που αποδίδεται η εμπρόσθια. Οι διαρκείς ήχοι μπορούν να “τοποθετηθούν” ευκολότερα μεταξύ των ηχείων από ότι οι κρουστικοί, οι οποίοι έχουν την τάση να οβηθούν πριν “απομακρυνθούν” πολύ από τα ηχεία. Επίσης, είναι δύσκολο η ηχητική εικόνα να φτάσει σωστά σε όλους τους ακρατές, ειδικά αν η περιοχή ακρόασης καλύπτει ένα μεγάλο ποσοστό του χώρου μεταξύ των ηχείων. Η σταθερότητα της εικόνας εξαρτάται από το πόσο σωστή θα είναι η ηχητική ισορροπία μεταξύ των ηχείων, ενώ η ιδανική θέση ακρόασης (“hot spot”) είναι ακόμα πιο συγκεκριμένη από ότι στην απλή στερεοφωνική αναπαραγωγή.

Λαμβάνοντας υπ’ όψη τα παραπάνω, το πόσο επιτυχημένα θα μπορούσατε να αναπαράγετε το πεδίο surround, όπως το είχαν στο μυαλό τους οι συντελεστές της ταινίας όταν έκαναν την εγγραφή του ήχου, εξαρτάται σε σημαντικό βαθμό από τους περιορισμούς που επιβάλλει ο χώρος ακρόασης – πόσο εύκολο είναι να τοποθετήσετε τα ηχεία στις ιδανικές θέσεις, ποιος θα είναι ο αριθμός των ακρατών σε σχέση με το μέγεθος του δωματίου κ.λπ.

Δεν υπάρχει κάποια συγκεκριμένη προδιαγραφή που να καθορίζει τη γωνία που θα πρέπει να σχηματίζουν τα ηχεία surround ως προς τη θέση ακρόασης. Όμως, οι περισσότερες εγγραφές γίνονται με τα ηχεία τοποθετημένα σε γωνία 110 έως 130 μοιρών από την κεντρική εμπρόσθια θέση (π.χ. τη θέση του ηχείου του κεντρικού καναλιού). Πριν κάνετε μόνιμη εγκατάσταση, τοποθετήστε δοκιμαστικά τα ηχεία κοντά στον τοίχο, με γωνία που να είναι μεταξύ αυτών των ορίων, και σε τέτοιο ύψος, ώστε το tweeter να βρίσκεται περίπου στο ύψος του αυτιού. Με αυτόν τον τρόπο θα διαπιστώσετε αν πρέπει να τοποθετήσετε τα ηχεία στους πλάιούς τοίχους ή στον πίσω τοίχο. Στρέψτε τα ηχεία προς το κέντρο της περιοχής ακρόασης (εικόνα 4). Ο βραχίονας στήριξης επιτρέπει στο ηχείο να περιστρέφεται οριζόντια έως και 45

μοίρες. Αν κάθσετε σε καρέκλες ή πολυθρόνες με ψηλή πλάτη, ή αν ο ήχος εμποδίζεται από οτιδήποτε άλλο, ίσως να είναι καλύτερα να είναι τοποθετηστέ τα ηχεία λίγο ψηλότερα (60 περίπου εκατοστά πάνω από το ύψος του αυτιού πρέπει να είναι αρκετά για να έχετε ικανοποιητικά αποτελέσματα).

Αφού τοποθετήσετε (δοκιμαστικά) όλα τα ηχεία στις θέσεις που θεωρείτε καλύτερες, ακούστε αρκετά και διαφορετικά πράγματα (εγγραφές μουσικής με το σύστημα 5,1 καναλιών, ταινίες δράσης, κ.λπ.) και καθίστε σε όλες τις πιθανές θέσεις. Δώστε ιδιαίτερη προσοχή στην πληροφορία surround και στη σταθερότητα της ηχητικής εικόνας.

Αν η ηχητική εικόνα δεν είναι ικανοποιητική, π.χ. αν εστιάζει μόνο στα άκρα της περιοχής ακρόασης, ή αν δεν μπορείτε να τοποθετήσετε τα ηχεία στις κατάλληλες θέσεις, ίσως θα ήταν καλύτερα να επιδιώξετε το ηχητικό πεδίο να είναι περισσότερο διάχυτο και όχι τόσο ακριβές και εστιασμένο. Αυτός ο τρόπος ίσως δώσει καλύτερα αποτελέσματα σε “δύσκολους” χώρους ακρόασης. Δοκιμάστε λοιπόν να στρέψετε τα ηχεία έτσι ώστε να βλεπθούν έξω από την περιοχή ακρόασης, ή/και να τοποθετήσετε αρκετά ψηλότερα από το ύψος του αυτιού (εικόνα 5).

Αφού βρείτε τις καλύτερες δυνατές θέσεις για τα ηχεία, τοποθετήστε τα μόνιμα (βλ. πιο κάτω).

### Ως ηχείο κεντρικού καναλιού

Αν χρησιμοποιείτε προβολική τηλεοπτική συσκευή με ηχοδιαπερατή (acoustically transparent) οθόνη, τοποθετήστε το ηχείο πίσω από το κέντρο της οθόνης. Διαφορετικά τοποθετήστε το ακριβώς επάνω ή κάτω από την οθόνη, ανάλογα με το ποιά από τις δυο θέσεις είναι πλησιέστερη στο ύψος του αυτιού.

### Ως ηχείο των δύο εμπρόσθια καναλιών (αριστερό – δεξί)

Τοποθετήστε το ηχείο σε απόσταση 50 εκατοστών έως 1 μέτρο από τις πλευρές της οθόνης.

Αν το ηχείο του κεντρικού καναλιού είναι πίσω από μία ηχοδιαπερατή (acoustically transparent) οθόνη, τοποθετήστε τα δύο εμπρόσθια ηχεία όσο πιο κοντά γίνεται στο ύψος του. Αν το ηχείο του κεντρικού καναλιού είναι επάνω ή κάτω από την οθόνη, το ύψος των δύο εμπρόσθιων ηχείων θα πρέπει να είναι μεταξύ του ύψους του κεντρικού ηχείου και του κέντρου της οθόνης. Ρυθμίστε έτσι τη γωνία των ηχείων, ώστε η ηχητική εικόνα να είναι όσο το δυνατό πιο ρεαλιστική και σταθερή.

Για να έχετε πιο ρεαλιστική ηχητική εικόνα σε εγκαταστάσεις home theatre, είναι σημαντικό να ρυθμίσετε τη σχέση της έντασης (balance) μεταξύ των ηχείων και την ακουστική εικόνα, έτσι ώστε να ταιριάζει με το μέγεθος της οθόνης. Για μικρότερες οθόνες, ίσως

να είναι καλύτερο (και ηχητικά ρεαλιστικότερο), η απόσταση μεταξύ των δύο εμπρόσθιων ηχείων να είναι μικρότερη από όση θα ήταν σε ένα απλό στερεοφωνικό συγκρότημα.

Ρυθμίστε τα επίπεδα έντασης των τριών εμπρόσθιων ηχείων έτσι ώστε η “μετακίνηση” των ήχων να αποδίδεται ομαλά. Ακόμα, ρυθμίστε το επίπεδο έντασης των ηχείων surround έτσι ώστε – εκτός από τα ειδικά ηχητικά σφέ – να μην αποσούν χωρίς λόγο την προσοχή σας.

Καθίστε σε όλες τις πιθανές θέσεις ακρόασης πριν αποφασίσετε για το ιδανικό επίπεδο έντασης των ηχείων του συστήματος.

Για περισσότερες λεπτομέρειες σχετικά με τη ρύθμιση των επιπέδων έντασης, συμβουλευτείτε τις οδηγίες χρήσης του αποκοδικοποιητή σας.

### Στερεοφωνικό σύστημα

Τοποθετήστε με τέτοιο τρόπο τα ηχεία, ώστε το μέγανωμο υψηλών (tweeter) να βρίσκεται στο ύψος του αυτιού.

Ακολουθήστε τις εξής βασικές αρχές (εικόνα 6):

- Φροντίστε ώστε η θέση ακρόασης και τα δύο ηχεία να βρίσκονται στις γωνίες ενός νοητού ισόπλευρου τριγώνου.
- Η απόσταση μεταξύ των ηχείων πρέπει να είναι τουλάχιστον 1,5 μέτρο έτσι ώστε να εξασφαλίζεται ο στερεοφωνικός διαχωρισμός των δύο καναλιών.

Εάν η κεντρική στερεοφωνική εικόνα δεν είναι καλή, φέρτε τα ηχεία πιο κοντά το ένα στο άλλο ή στρέψτε τα έτσι ώστε να έχουν κατεύθυνση προς τη θέση ακρόασης (εικόνα 7).

### Τελικές Ρυθμίσεις

Πριν κάνετε τις τελικές ρυθμίσεις στο σύστημά σας, ελέγξτε αν είναι σωστές και ασφαλείς όλες οι συνδέσεις της εγκατάστασης.

Αν ο ήχος είναι πολύ τραχύς προσθέστε στο χώρο μελακές επιφάνειες (για παράδειγμα, μπορείτε να βάλετε πιο χοντρές κουρτίνες). Αντίθετα, αν ο ήχος είναι άτονος και χωρίς “αιχμές” ελαττώστε τις μελακές επιφάνειες.

Αν θέλετε ο ήχος των ηχείων σας να αποδίδεται με ακόμη μεγαλύτερη ευκρίνεια, αφαιρέστε τη μπάφρα (με τον τρόπο που περιγράφεται πιο κάτω, στην παράγραφο “Φροντίδα των ηχείων”) από τα μέγανωμα χαμηλών (woofer) και μεσαίων (midrange). Το μέγανωμο υψηλών (tweeter) είναι ιδιαίτερα ευαίσθητο και δεν θα πρέπει να αφαιρέσει την μπάφρα, έτσι ώστε να προστατευτεί το μέγανωμο. Για το λόγο αυτό η μπάφρα του tweeter είναι σχεδιασμένη με τέτοιο τρόπο ώστε να παρέχει το καλύτερο δυνατό ακουστικό περιβάλλον και άρα αν αφαιρεθεί, η απόκριση συχνότητας θα είναι λιγότερο ομαλή.

## Περίοδος προσαρμογής

Η απόδοση των ηχείων θα βελτιωθεί αισθητά κατά την αρχική περίοδο λειτουργίας τους. Εάν τα ηχεία ήταν αποθηκευμένα σε κρύο περιβάλλον, τα μονωτικά υλικά και τα συστήματα ανάρτησης των μεγαφώνων θα χρειαστούν κάποιο χρόνο για να ανακτήσουν τις πραγματικές τους ιδιότητες. Ο χρόνος που χρειάζεται κάθε ηχείο για να αποδώσει σύμφωνα με τις δυνατότητές του εξαρτάται από τις συνθήκες στις οποίες ήταν αποθηκευμένο και από τον τρόπο που χρησιμοποιείται. Η προσαρμογή των ηχείων στη θερμοκρασία του περιβάλλοντος μπορεί να χρειαστεί έως και μία εβδομάδα, ενώ τα μηχανικά του μέρη θέλουν γύρω στις 60 ώρες κανονικής χρήσης για να αποκτήσουν τα χαρακτηριστικά βάσει των οποίων έχουν σχεδιαστεί.

## Συναρμολόγηση και τοποθέτηση του βραχίονα

Βίδες και ούπα για την τοποθέτηση του ηχείου στον τοίχο δεν παρέχονται. Χρησιμοποιήστε βίδες με στρογγυλή κεφαλή, με διάμετρο σώματος το πολύ 5 χιλιοστά και κεφαλής το πολύ 11 χιλιοστά.

Ανοίξτε δύο τρύπες στον τοίχο, σε απόσταση 150 χιλιοστά επάνω από το σημείο όπου θα βρίσκεται η κάτω μεριά της καμπίνας του ηχείου, και σε μεταξύ τους οριζόντια απόσταση 44 χιλιοστά. Τοποθετήστε τα ούπα (εικόνα 8a). Βεβαιωθείτε ότι οι βίδες και τα ούπα μπορούν να στηρίξουν το βάρος του ηχείου και του βραχίονα. Τοποθετήστε τις βίδες στον τοίχο, αφήνοντάς τις να προεξέχουν 16 χιλιοστά από την επιφάνειά του (εικόνα 8b).

Προσαρμόστε την πλάκα στήριξης στην πλάκα εντοίχισης, χρησιμοποιώντας τις τέσσερις βίδες M5 και το κλειδί allen των 4 χιλιοστών (εικόνα 9a).

Περάστε τη βίδα M8 μέσα από το άνοιγμα της πλάκας στήριξης, και με το allen των 6 χιλιοστών βιδώστε την στην υποδοχή με το σπείρωμα που υπάρχει στο κάτω πλαίσιο του περιβλήματος (εικόνα 9b). Αρχικά, τοποθετήστε τη βίδα στο άκρο της υποδοχής, που βρίσκεται μακρύτερα από την πλάκα εντοίχισης, έτσι ώστε οι υποδοχές “κλειδιού” να είναι ορατές.

Συνδέστε τα καλώδια στο ηχείο και αναρτήστε την πλάκα εντοίχισης στις βίδες (εικόνα 10).

Τοποθετήστε το ηχείο έτσι ώστε να είναι όσο το δυνατόν πιο κοντά στον τοίχο, υπολογίζοντας και τη γωνία περιστροφής.

Αν πρέπει να ρυθμίσετε τη γωνία του ηχείου ως προς τον κάθετο άξονά του, σας συνιστούμε, αντί για το βραχίονα ανάρτησης που παρέχεται μαζί με το ηχείο, να χρησιμοποιήσετε το βραχίονα OmniMount 30.0 Series. Ο βραχίονας αυτός μπορεί να τοποθετηθεί στις τέσσερις επιπλέον υποδοχές που υπάρχουν στη βάση του ηχείου.

## Υπόλοιπες εξοπλισμός

Ηχεία τέτοιου επιπέδου αξίζουν ηχητικά σήματα υψηλής ποιότητας. Γι' αυτό θα πρέπει να επιλέξετε προσεκτικά τόσο τα υπόλοιπα τμήματα του συστήματός σας, όσο και τα καλώδια σύνδεσης ενισχυτή-ηχείων. Εμείς μπορούμε να σας κάνουμε κάποιες γενικές υποδείξεις σχετικά με το τι πρέπει να προσέξετε όταν θα διαλέγετε το σύστημά σας, αλλά για ευνόητους λόγους δεν μπορούμε να προτείνουμε συγκεκριμένες συσκευές. Τα χαρακτηριστικά των ηλεκτρονικών συσκευών ήχου βελτιώνονται συνεχώς και ο πωλητής σας είναι ο πλέον κατάλληλος για να σας παρουσιάσει μια σειρά από νέα προϊόντα, ικανά να συνεργαστούν άψογα με τα ηχεία σας.

Στα τεχνικά χαρακτηριστικά των ηχείων θα δείτε ότι η συνιστώμενη ισχύς ενίσχυσης εκτείνεται σε ένα αρκετά μεγάλο εύρος μεγεθών, το μεγαλύτερο από τα οποία ορίζεται από την ικανότητα διαχείρισης ισχύος των ηχείων. Κατά τον υπολογισμό της διαχείρισης ισχύος τίθεται ως προϋπόθεση ότι ο ενισχυτής δεν θα παραμορφώνει, αλλοιώνοντας έτσι το φάσμα ισχύος του σήματος, και ότι το ηχητικό σήμα θα είναι ένα κανονικό πρόγραμμα ήχου ή/και εικόνας. Σήματα όπως αυτά παράγονται από ταλαντώγια για εργαστηριακές δοκιμές δεν ανήκουν φυσικά σε αυτή την κατηγορία και δεν λαμβάνονται υπ' όψιν. Η ελάχιστη ισχύς που προτείνεται είναι αυτή που θεωρείται αναγκαία για την ακρόαση σε ικανοποιητικά επίπεδα έντασης, κατάλληλα για μικρότερους χώρους (λιγότερο από 50 m<sup>3</sup>) όπου οι υψηλές εντάσεις μπορούν να προκαλέσουν παραμορφώσεις. Γενικά πάντως, όσο πλησιέστερη στην μέγιστη προτεινόμενη ισχύ είναι η ισχύς του ενισχυτή σας, τόσο λιγότερες πιθανότητες παραμόρφωσης υπάρχουν. Πολύ συχνά μπορείτε να διαπιστώσετε πόσο καλός στο να οδηγήει ηχεία με “δύσκολα” φορτία είναι ένας ενισχυτής, μετρώντας την ισχύ του στα 4 και στα 8 Ω. Η ιδανική διαφορά είναι 2 προς 1, οπότε ανάλογα με το πόσο η μέτρηση προσεγγίζει αυτό το λόγο μπορείτε να κρίνετε την ικανότητα του ενισχυτή.

Για να ελαττώσετε σε μη ακουστά επίπεδα την επίδραση των καλωδίων στην απόκριση συχνότητας των ηχείων, η αντίσταση του κάθε καλωδίου σε όλες τις συχνότητες (υπολογίζοντας την αντίσταση και του θετικού και του αρνητικού αγωγού σε σειρά) θα πρέπει να είναι όσο το δυνατό χαμηλότερη και σίγουρα κάτω από 0,1 Ω. Στις χαμηλές συχνότητες, η αντίσταση συνεχούς ρεύματος του καλωδίου είναι βασικός παράγοντας και θα πρέπει να επιλέξετε ένα καλώδιο με διάμετρο τόσα ώστε, σε σχέση και με το μήκος που χρειάζεστε, να έχει την απαιτούμενη αντίσταση. Αλλά και στις μεσαίες και στις υψηλές συχνότητες, η απόδοση του ηχείου μπορεί να επηρεαστεί αισθητά από την αντίσταση του καλωδίου. Εκτός από την αντίσταση, υπάρχουν και άλλες ιδιότητες των

καλωδίων που είναι πολύ σημαντικές, και γι' αυτό συμβουλευτείτε τον πωλητή σας σχετικά με τα καλώδια που θα χρησιμοποιήσετε στο σύστημά σας.

## Φροντίδα ηχείων

Κανονικά, ο μόνος καθαρισμός που απαιτεί το φινιρίσμα των ηχείων είναι ένα ξεσκόνισμα. Εάν θέλετε να χρησιμοποιήσετε κάποιο καθαριστικό με τη μορφή σπρέι, θα πρέπει πρώτα να αφαιρέσετε το εμπρόσθιο προστατευτικό κάλυμμα του ηχείου (μάπαφλα) τραβώντας το ελαφρά από τη καμπίνα. Ρίξτε το καθαριστικό στο πανί με το οποίο θα καθαρίσετε το ηχείο και όχι κατευθείαν επάνω στην καμπίνα. Το ύφασμα της μάπαφλας καθαρίζεται – αφού την αφαιρέσετε από το ηχείο – με μία απλή βούρτσα ρούχων.

Αποφύγετε να αγγίζετε τα μεγάφωνα και κυρίως το μεγάλο υψηλών συχνοτήτων (tweeter), γιατί μπορεί να προκληθεί ζημιά.

# Русский

## Ограниченная гарантия

Уважаемый покупатель!

Добро пожаловать в компанию B&W!

Данное изделие было разработано и произведено в соответствии с высочайшими стандартами качества. Однако, при возникновении какой-либо неисправности, компания B&W Loudspeakers и её национальные дистрибьютеры гарантируют бесплатную починку (существуют некоторые исключения) и замену частей в любой стране, обслуживаемой официальным дистрибьютером компании B&W.

Данная ограниченная гарантия действительна на период одного года со дня приобретения изделия конечным потребителем.

### Условия гарантии

- 1 Данная гарантия ограничивается починкой оборудования. Затраты по перевозке и любые другие затраты, а также риск при отключении, перевозке и установке изделий не покрываются данной гарантией.
- 2 Действие данной гарантии распространяется только на первоначального владельца и не может быть переданной другому лицу.
- 3 Данная гарантия распространяется только на те неисправности, которые вызваны дефектными материалами и/или дефектами при производстве на момент приобретения и не распространяется:
  - а на повреждения, вызванные неправильной установкой, подсоединением или упаковкой,
  - б на повреждения, вызванные использованием, не соответствующим описанному в руководстве по применению, а также неправильным обращением, модифицированием или использованием запасных частей, не произведённых или не одобренных компанией B&W,
  - в на повреждения, вызванные неисправным или неподходящим вспомогательным оборудованием,
  - г на повреждения, вызванные несчастными случаями, молнией, водой, огнём, теплом, войной, публичными беспорядками или же любыми другими факторами, не поддающимися под контроль компании B&W и её официальных дистрибьютеров,
  - д на изделия, чей серийный номер был изменён, уничтожен или сделан неузнаваемым,

- е в случае, если починка или модификации оборудования производились лицом, не уполномоченным компанией B&W.
- 4 Данная гарантия является дополнением к национальному/ региональным законодательствам, которым подчиняются дилеры или национальные дистрибьютеры, то есть при возникновении противоречий, национальные/ региональные законодательства имеют приоритетную силу. Данная гарантия не нарушает Ваших прав потребителя.

### Как требовать гарантийную починку

При необходимости получения гарантийного обслуживания, выполните следующие шаги:

- 1 Если оборудование используется в стране приобретения, Вам необходимо связаться с уполномоченным дилером компании B&W, где было приобретено оборудование.
- 2 Если оборудование используется за пределами страны приобретения, Вам необходимо связаться с национальным дистрибьютером компании B&W в данной стране, который предоставит Вам совет об обслуживании оборудования. Вы можете позвонить в компанию B&W в Великобритании или же посетить наш вебсайт для того, чтобы узнать контактный адрес Вашего местного дистрибьютера.

Для получения гарантийного обслуживания, Вам необходимо предоставить данный буклет, заполненный Вашим дилером и с поставленной им печатью в день приобретения оборудования; или же чек продажи или другое доказательство владения оборудованием и даты приобретения.

## Руководство по эксплуатации

### Введение

Благодарим Вас за выбор изделия компании Bowers & Wilkins.

Акустические системы серии Signature™ являются высокоточными преобразователями, в конструкции которых применяется множество новейших технических разработок фирмы B&W, они обеспечивают высочайшее качество воспроизведения. Для того чтобы достоинства этих акустических систем проявились в полной мере, необходимо со всем вниманием отнестись к их установке. В частности, нужно рассматривать комнату для прослушивания как продолжение акустической системы. Ее акустика

оказывает огромное влияние на качество звучания.

Signature™ SCM это небольшая настенная акустическая система, которая применяется вместе с другими системами серии Signature™, в первую очередь, в качестве тылового громкоговорителя. SCM1 можно использовать и для воспроизведения других каналов, но необходимо учитывать влияние ее магнитного поля, см. ниже.

Сеть дистрибьютеров B&W охватывает более 60 стран. Если с Вашей проблемой не может справиться дилер, они придут Вам на помощь.

### Распаковка (рисунок 1)

- Отогнуть верхние клапаны коробки и перевернуть коробку вместе с содержимым.
- Снять картонную коробку.
- Снять с изделия внутреннюю упаковку.

Мы советуем сохранить упаковку для дальнейшего использования.

Убедиться, что в коробке имеются:

- 2 перемычки для клемм
- 1 салфетка
- 1 гарантийный талон Рчководство по аксплчатауии
- 1 алюминиевая пластина, крепящаяся к стене
- 1 опорная алюминиевая пластина
- полиэтиленовый пакет, и в нем
  - 4 винта M5 с углублением в головке
  - 1 винт M8 с углублением в головке
  - 3 мм ключ-шестигранник
  - 6 мм ключ-шестигранник

### Подключение

Все соединения выполняются только при выключенной аппаратуре.

Громкоговоритель можно подключать двумя кабелями. На задней стенке есть две пары клемм, сигнал от нижней пары поступает на НЧ/СЧ динамик, от верхней – на твитер.

К клеммам можно подключать разъемы различных типов, их изоляция предотвращает поражение электрическим током даже при использовании наиболее мощных усилителей.

Громкоговоритель желателно подключать двумя кабелями – по одному на каждую пару клемм. Разделение сигнальных путей улучшает воспроизведение слабых компонентов сигнала и позволяет выбрать оптимальный кабель для каждой частотной полосы (рисунок 2).

На тот случай, если подключение выполняется одним кабелем (например, на время настройки или



ради красоты интерьера), к громкоговорителю прилагаются перемычки, которыми нужно попарно соединить положительные и отрицательные клеммы (рисунок 3).

“Лопаточку” перемычки следует вставить в паз на одной из клемм, а подпружиненный штырьковый контакт – в круглое отверстие на боковой поверхности другой клеммы. Клемма сделана так, что в ней можно захватить и штырьковый контакт перемычки, и лопаточку акустического кабеля.

Положительные (красные) клеммы громкоговорителя должны соединяться с положительными клеммами усилителя, а отрицательные (черные) – с отрицательными. Неправильное соединение может привести к нарушению стереоэффекта и плохому воспроизведению басов.

При подключении двумя кабелями перемычки не устанавливаются. В этом случае особенно важно избежать ошибок. Несоблюдение полярности может вызвать еще и нарушения АЧХ на выходе фильтра, а перемычки, оставленные между клеммами, приведут к повреждению усилителя из-за короткого замыкания его выходов.

## Размещение

Прежде чем монтировать громкоговоритель на стене, нужно найти для него оптимальное положение.

### Рассеянное магнитное поле

Эта акустическая система создает рассеянное магнитное поле, выходящее за пределы корпуса. Объекты, чувствительного к магнитному полю (кинескоп телевизора или компьютерного монитора, дискиеты, аудио и видеокассеты, кредитные карты и т.д.) рекомендуется держать на расстоянии не меньше 0,5 м от системы.

По этой причине Signature™ SCM можно применять в качестве центрального громкоговорителя только в случае проектора или телевизора с плазменным либо жидкокристаллическим экраном, на которые не влияют магнитные поля.

### Домашний кинотеатр

#### Применение в качестве тыловых громкоговорителей

Существует два основных способа воспроизведения каналов Surround. Давние фильмы, в которых эта информация записывалась только на одном канале, лучше звучат, если тыловые громкоговорители создают диффузное звуковое поле без претензий на локализацию источников, расположенных позади или сбоку от зрителя. Современная система 5.1, применяющаяся и в фильмах и в музыкальных записях, использует два отдельных тыловых канала, это обеспечивает более точную локализацию источников звука. Однако положение тыловых и боковых

источников обычно все равно ощущается гораздо слабее, чем фронтальных. Виртуальные источники длительных звуков легче локализируются между акустическими системами, чем источники ударных звуков, которые кажутся исходящими от громкоговорителей. Кроме того, очень трудно создать звуковую картину для всех слушателей, если зона прослушивания занимает значительную часть пространства между громкоговорителями. Стабильность образа зависит от баланса всех пяти акустических систем, и положение слушателя влияет на него еще сильнее, чем в стереофонической системе.

Поэтому успешность воспроизведения окружающего звукового поля в том виде, в каком оно задумано создателями, будет в значительной степени зависеть от ограничений, накладываемых условиями комнаты – от того, насколько Вы свободны в выборе положения громкоговорителей и насколько велика зона прослушивания по сравнению с размерами комнаты.

Не существует стандартного расположения тыловых громкоговорителей, но в большинстве случаев угол, образованный тыловыми и центральным громкоговорителями, должен составлять от 110° до 130°. Тыловые громкоговорители нужно поместить рядом со стенами (для начала – на временных подставках), так чтобы они образовали указанный угол и чтобы твитеры находились приблизительно на высоте головы слушателя. Эти требования определяют выбор установкой у боковых стен или у задней стены. Направить громкоговорители на центр зоны прослушивания (рисунок 4). Настенные крепления позволяют повернуть громкоговоритель в горизонтальной плоскости на 45°. Если высокие спинки или другие препятствия загораживают слушателя, нужно поднять громкоговорители повыше. Хороший эффект достигается, когда громкоговорители находятся приблизительно на 60 см выше головы слушателя.

Разместив все громкоговорители на начальных позициях, послушайте различные звуковые программы – музыку, записанную в системе 5.1, фрагменты звукового сопровождения фильмов – поочередно на всех местах для слушателей. Обратите особое внимание на звучание тыловых громкоговорителей и стабильность звуковой картины.

Если качество звуковой картины Вас не удовлетворяет, например, если картина искажается на краях зоны прослушивания, или если не удается расположить громкоговорители на нужных местах, возможно, следует предпочесть вариант с диффузным звуковым полем. В трудных ситуациях он может дать более приемлемые результаты. Возможно, стоит

направить громкоговорители в сторону от зоны прослушивания. Другой прием, который может оказаться полезным, – поднять их значительно выше головы слушателя (рисунок 5).

После того как оптимальное положение акустических систем найдено, их нужно смонтировать стационарно (инструкции см. ниже).

#### Применение в качестве центрального громкоговорителя

В случае акустически прозрачного экрана громкоговоритель нужно установить позади его центральной части. В остальных случаях нужно поместить громкоговоритель непосредственно над или под экраном, выбрав положение, в котором он будет ближе к уровню головы слушателя.

#### Применение в качестве левого и правого фронтальных громкоговорителей

Расстояние от громкоговорителя до края экрана должно составлять от 0,5 м до 1 м.

Если центральный громкоговоритель находится позади акустически прозрачного экрана, правый и левый фронтальные громкоговорители нужно установить, по возможности, на той же высоте. Если центральный громкоговоритель находится выше или ниже экрана, левый и правый громкоговорители должны занимать среднее по высоте положение между центральным громкоговорителем и центром экрана. Нужно установить громкоговорители под таким углом, чтобы добиться наиболее реалистичной и стабильной звуковой картины.

Для создания реалистичной звуковой картины в домашнем кинотеатре важно привести ее в соответствие с размерами экрана и сбалансировать громкость всех акустических систем. В случае телевизоров с небольшим экраном фронтальные громкоговорители следует располагать ближе друг к другу, чем это делается в стереофонических системах.

Отрегулируйте громкость трех фронтальных акустических систем так, чтобы кажущийся источник звука нормально перемещался во фронтальной плоскости. Отрегулируйте громкость тыловых систем так, чтобы они были слышны только при специальных эффектах.

Выбирая оптимальный баланс, проверьте звучание на всех зрительских местах.

Подробнее о настройке баланса можно прочесть в инструкции к декодеру.

#### Двухканальная аудиосистема

Громкоговорители нужно разместить так, чтобы твитеры находились на уровне головы слушателя.

Следующие рекомендации помогут выбрать первоначальную позицию громкоговорителей (рисунок 6).

- Громкоговорители и центр зоны прослушивания должны находиться приблизительно в вершинах равностороннего треугольника.
- Для нормального разделения правого и левого каналов расстояние между громкоговорителями должно быть не менее 1,5 м.

Если "провисает" центральная часть стереообраза, нужно сблизить колонки либо повернуть так, чтобы оси пересекались непосредственно перед слушателями (рисунок 7).

### Тонкая настройка

Прежде чем приступать к настройке, следует еще раз проверить правильность и надежность подключения всех кабелей.

При слишком резком звучании можно уменьшить количество мягкой мебели или, например, повесить более плотные шторы. И наоборот, для более яркого звучания нужно убрать часть мягкой мебели.

Проверьте, хлопнув в ладоши, не возникает ли в комнате эхо. От него можно избавиться, закрыв отражающие поверхности стен полками или крупными предметами мебели.

Для того чтобы акустическая система звучала еще лучше, можно снять с решеток декоративную ткань, как описано ниже в разделе "Уход". Решетку твитера можно оставить на месте, т.к. его излучатель легко повреждается. Поэтому она сконструирована так, чтобы создать оптимальные условия излучения, ее удаление сделает АЧХ менее равномерной.

### Период приработки

В первоначальный период эксплуатации характер работы акустической системы немного меняется. Если громкоговоритель хранился на холоде, то потребуются определенное время, чтобы демпфирующие компоненты и подвес головок восстановили свои механические свойства. Кроме того, после нескольких часов работы натяжение подвеса немного уменьшается. Время, которое необходимо для выхода на стационарный режим, зависит от условий предшествовавшего хранения и интенсивности использования. Потребуется приблизительно неделя, чтобы закончилось действие смены температуры, и 60 часов работы со средней интенсивностью, чтобы характеристики механических элементов достигли расчетных уровней.

### Монтаж кронштейнов

В комплект поставки не входят винты и дюбели для крепления кронштейнов к стене. Используйте винты с круглыми головками с максимальным диаметром

стержня 5,0 мм и максимальным диаметром головки 11 мм.

Просверлить в стене два отверстия на 150 мм выше нижней стенки громкоговорителя и на расстоянии 44 мм друг от друга (рисунок 8а). Нужно позаботиться, особенно при монтаже на стене с навесными панелями, чтобы крепеж выдерживал массу кронштейна и громкоговорителя. Вставить дюбели в отверстия и ввинтить винты, так чтобы между головкой и стеной осталось расстояние 16 мм (рисунок 8б).

С помощью четырех винтов М5 и 4 мм ключа соединить опорную пластину с пластиной, крепящейся к стене (рисунок 9а).

Вставить винт М8 через щель в опорной пластине в гнездо на нижней поверхности громкоговорителя, и завинтить его с помощью 6 мм ключа (рисунок 9б). Первоначально винт должен находиться в дальнем от вертикальной пластины конце щели, так чтобы вся щель оставалась на виду.

Подключить кабели к громкоговорителю, и надеть вертикальную пластину на винты в стене.

Сдвинуть громкоговоритель как можно ближе к стене, сохраняя нужный угол поворота.

Если Вам необходимо отрегулировать угол вертикального наклона акустической системы, мы рекомендуем использовать настенный кронштейн OmniMount 30.0 Series вместо входящего в комплект. Он крепится при помощи 4-х дополнительных отверстий с резьбой, имеющих в основании акустической системы.

### Прочие компоненты аудиосистемы

Акустические системы такого класса заслуживают сигнала высочайшего качества. Тщательно выбирайте электронное оборудование и соединительные кабели для своей аудиосистемы. Мы можем посоветовать, на что следует обращать внимание при выборе прочих компонентов, но не в состоянии рекомендовать какие-либо определенные изделия. Это оборудование постоянно обновляется и улучшается, дилер поможет Вам выбрать новейшие и наиболее подходящие изделия.

В технических характеристиках указывается рекомендуемая мощность усилителя. Верхняя граница является предельно допустимой мощностью усилителя. При расчете предельно допустимой мощности предполагается, что усилитель работает без "отсечки", которая искажает спектральное распределение энергии сигнала, и что сигнал является нормальной музыкальной программой. Сигналы испытательных генераторов и им подобные в данном случае не

применимы. Нижняя граница указывает ту минимальную мощность, которая, по нашему мнению, необходима, чтобы в небольшой комнате (менее 50 м<sup>3</sup>) акустическая система звучала с приемлемой громкостью без слышимых искажений. Чем мощнее Ваш усилитель, тем меньше вероятность "отсечки". Зачастую можно оценить способность усилителя справляться с комплексной нагрузкой по его выходной мощности на нагрузке 4 Ом и 8 Ом. В идеале эти два показателя должны относиться как 2:1 – чем ближе это отношение к 2, тем выше нагрузочная способность по току.

Для того чтобы влияние кабеля на АЧХ акустической системы оставалось ниже порога слышимости, импеданс кабеля на всех частотах (при измерении оба проводника кабеля соединены последовательно) должен быть как можно более низким, его максимально допустимое значение – 0,1 Ом. На низких частотах доминирующим фактором оказывается активное сопротивление, поэтому следует выбрать кабель с проводником такой толщины, которая обеспечит приемлемое сопротивление при требуемой длине кабеля. На средних и высоких частотах индуктивное сопротивление оказывается выше активного. Соответственно, это сопротивление и некоторые другие свойства кабеля, определяемые особенностями его конструкции, приобретают большее значение. Посоветуйтесь с дилером о выборе кабеля, наиболее подходящего для Ваших условий.

### Уход

Достаточно периодически стирать с корпуса пыль. Если Вы пользуетесь чистящим средством в аэрозольной упаковке, то предварительно снимите с акустической системы решетки и наносите средство на салфетку, а не прямо на корпус. Ткань, которая покрывает решетку, можно чистить обычной одежной щеткой, предварительно сняв решетку.

Не прикасайтесь к излучающим элементам головок, особенно твитера, их легко повредить.

## 日本語

### 保証期間

お客様各位

B&W 製品をお買い上げいただき、ありがとうございます。

当社製品は最高の品質水準で設計・製造されておりですが、万が一製品に不備のある場合は、B&W 公認販売店のあるいかなる国においても、B&W Loudspeakers およびその各国販売店が無料で修理(例外もあり)および部品交換を行いました。

この有限保証は、購入の日から5年間またはアンプスピーカーを含む電子機器の場合には2年間有効となります。

#### 保証条件：

- 保証範囲は、製品修理に限定されます。交通費、その他の費用、また製品の取り外し、移動、設置に起因する故障の危険は当保証の対象外となっています。
- 当保証は、製品購入時に不良部品および/または製造上の欠陥があった場合のみに適用されます。以下の項目は適用外となりますのでご了承ください。
  - 不適切な設置、接続、包装によって生じた損傷。
  - 取扱説明書に記載された正しい使用方法以外の使い方、本人の過失、改造、またB&W製またはその認定する以外の部品を使用したことによって生じた損傷。
  - 不良または不適切な付属器具によって生じた損傷。
  - 事故、雷、水害、火災、熱、戦争、争乱、またB&Wおよびその公認販売店の常識的管理の範囲を超えた不可抗力による損傷。
  - 製造番号が修正、削除、取り外し、また故意に判読不明にされた製品。
  - 認定外のものによる修理、改造が行われた場合。
- 当保証は、各国/地方行政の定める代理店または各国販売店に課された義務を補足するものであり、消費者としての法定権利には影響しません。

### 取扱説明書

#### はじめに

Bowers and Wilkins 製品をお買い上げいただき、ありがとうございました。

Signature シリーズは、B&W 独自の数多くの技術を生かして作られ、録音された音源を最高の状態で再生する能力を持った、高精度モニタースピーカーです。ですから、最良の状態を演奏させるためには、設置についても充分な時間と注意を払うことが不可欠となります。ご使用になるリスニング・ルームも、スピーカーの延長としてお考えください。部屋の音響特性が、最終的な音質に大きな影響を与えることがあるからです。

シグニチャー-SCM は、壁に取り付ける薄型スピーカーで、他のシグニチャーシリーズのスピーカーと組み合わせ、主にサラウンドチャンネルとして使用できるよう設計されています。薄型のスピーカーとしてそのままご使用いただくこともできますが、その際は下記の漏洩磁界の項目の内容にご留意ください。

#### 開 梱 (図1)

- 箱を開け、フラップの部分をついばいに開いて、中身ごと逆さまにします。
  - 箱を上方向へ抜き取ります。
  - 製品から、内部梱包材を取り除きます。
- 箱と梱包材は、将来のため保存されることをお勧めしています。

以下に従って、内容物をチェックしてください。

- ターミナル接続ケーブル x2
- クリーニング・クロス x1
- 保証書
- 壁用アルミ板1枚
- サポート用アルミ板1枚

#### ● ナイロン袋の内容：

- M5六角穴ボルト4個
- M8六角穴ボルト1個
- 3mm六角レンチ
- 6mm六角レンチ

#### 接 続

接続は、必ず、すべての機器のスイッチをオフにしてから、実行してください。

バイワイヤリング接続に対応するため、スピーカー背面には二組の接続ターミナルが設けられています。下の方の一組がウーファー用で、上の方の一組がミッドレンジとトゥイーター用です。

接続ターミナルは、かなり高出力のパワーアンプと組み合わせられた場合にも感電などを引き起こさないように、絶縁されています。様々なタイプのケーブルにも対応可能です。

バイワイヤリング接続が最も望ましい方法であり、パワーアンプと二つのターミナルを、別個のケーブルで接続します。信号経路の分離は、低域の解像度を改善し、また、それぞれの高周波帯域に適切なスピーカー・ケーブルの選択が可能になります。(図2)

設置作業の途中の試演奏、あるいは部屋の中に多くのケーブルを露出させたくないなどの理由で、バイワイヤリング接続を行わない場合のために、ターミナルのプラス同士とマイナス同士を結合するための短いリンク・ケーブルが付属しています。(図3)

リンク・ケーブルを使う際は、スペードの平板側を一方のターミナルの側面にある溝に差し込み、ピン側をもう一方の側面の丸い穴に入れます。ピンを入れた同じターミナルには、パワーアンプからのスピーカー・ケーブルのスペード・コネクタを挿入するのに充分な余裕が残ります。

スピーカーのプラス側ターミナル(赤)が、パワーアンプのプラス出力に、マイナス側(黒)がマイナス出力に接続されているのを確認してください。正しく接続されていないと、音像がぼやけたり低域が減少したりします。

バイワイヤリング接続の場合には、絶対にリンク・ケーブルを使用しないでください。接続の際には、極性の一致に特に気をつけてください。誤った接続は、低域/中域クロスオーバーを通る周波数レスポンスを損ないます。万一、リンク・ケーブルがつけられたままですと、パワーアンプの出カターミナルがショートして、パワーアンプが破損する恐れがあります。

#### 設 置

スピーカーの最良の位置を確認してから、取付用ブラケットを壁に固定してください。

#### 漏洩磁界

スピーカーのドライブ・ユニットは、キャビネットを越えて磁界を発生させます。磁気に反応しやすい物品(テレビやコンピュータのモニター、フロッピー・ディスク、オーディオビデオテープ、キャッシュ・カード類など)は、スピーカーから少なくとも0.5メートルは遠ざけておいてください。

上記の理由のため、シグニチャー-SCM は、漏洩磁界によって影響を受けやすいプロジェクションスクリーン、プラズマスクリーン、LCD スクリーンをご使用の際はセンタースピーカーとしてご使用できません。

#### ホームシアター

サラウンドスピーカーについて

サラウンド情報を再生するには主に二通り方法があります。古い映画のサウンドトラックは、サラウンド情報が一つのチャンネルのみで録音されており、サラウンドスピーカーは、ほかならぬ周辺の、包括的な再生に有利でしたが、左右や背後での正確な音の響きはほとんど考慮されていませんでした。これよりもモダンな5.1チャンネルによる映画やオーディオの録音では、左右別々のサラウンドチャンネルが使用されており、音の響きもさらに正確に伝達できます。しかし、一般的に左右や背後への音の響きは、前面で得られるほど正確ではありません。衝音はスピーカーに向かってこれ音響が崩れる傾向があるので、スピーカー間で持続音のほうに位置決めしやすいでしょう。聴衆エリアがスピーカー五個間の範囲の大部分を占めるのであれば、聴衆全員が音の響きのよい位置を維持することは困難になります。音の響きの安定度は、スピーカー五個間のバランスが得られるかどうかによりますし、「ホットスポット」現象は2チャンネルのオーディオよりさらに顕著になります。

上記に留意すれば、サラウンドエリアをプロデューサーの意図通りにうまく再生できるかどうかは、多分に局所的な条件次第になります。つまり、部屋の広さに対して、どれだけ理想的な位置にスピーカーを置くことができるか、聴衆の人数はどれだけを対象としたいかというような制限条件です。

聴衆の位置におけるサラウンドスピーカーの音響拡散角度に対する規格はありませんが、ほとんどの場合、サラウンドスピーカーは前中央より110°から130°の間の位置で録音されています。この角度内でスピーカーを壁に寄せ、最初はトゥイーターがだいたい耳の高さにくるようには設置します。これで、スピーカーを横の壁に置くと、後ろの壁に置くか決めます。スピーカーが聴衆エリアの真ん中に向くよう置きます。(図4) 壁用ブラケットで、スピーカーを水平に45°まで回転できます。背の高い椅子に座って聴いたり、また、スピーカーが隠れりするのであれば、スピーカーをさらに高くするのも効果があるでしょう。耳の高さより60cm以上までの高さならご満足いただける結果が得られます。

最初の試し聴のため、スピーカーの位置を決めしてから、考えられるさまざまな聴衆位置で、5.1チャンネルのオーディオ、アクション、小規模の映画などいろいろなテスト素材を広範囲に聴いてください。特に、サラウンド音情報や音の響きの安定度に注意してください。

もし、たとえば聴衆エリアの端では音が片方に偏ったり、また、望みの範囲内にスピーカーを置けなかったり、音の響きが満足できないものでないのなら、音の拡散エリアをねらったほうがよいこともあります。状況が厳しい場合にはこれで良い結果が得られることがあります。スピーカーの角度を変えても、聴衆エリアに向かないようにします。この場合、スピーカーを耳の高さより充分上にあけると効果的でしょう。(図5)

最適な場所が定まったら、スピーカーを恒久的に固定してください。(下記参照)

#### フロントおよびセンタースピーカーについて

プロジェクター・テレビを音響的に透明なスクリーンと共にお使いになる場合は、スピーカーをスクリーン中央の裏側に配置します。そうでない場合は、できるだけ耳の位置に近くなるように、スクリーンのすくすく上側に置きます。スピーカーの正面を、スクリーン面とほぼ同じになるよう配置してください。

#### フロントスピーカーについて

フロントスピーカーはスクリーンサイドから0.5mから1m離す。

中央のスピーカーが音響透視スクリーンの後ろにあるなら、左右のフロントスピーカーをできるかぎり同じ高さに置いてください。もし、センタースピーカーがスクリーンの上側や下側にある場合は、左右のスピーカーの高さは、センタースピーカーとスクリーンの中央との間になるように置いてください。スピーカーの角度を調整して、最も現実的で安定した音の響きを選んでください。

ホーム・シアターで使用する場合は、最良の臨場感を得るために、スクリーンの大きさに合わせてスピーカーのバラスをとり音響イメージを調整することが大切です。小さなスクリーンであれば、オーディオのみを楽しむ場合よりも左右のスピーカーの距離を小さくすることでよりよい臨場感が得られるでしょう。

スクリーンを左右に横切る音をより滑らかにするため、3本のフロントスピーカーのレベルを調整します。サラウンドスピーカーは、特殊な場合を除きその存在に気が取られない程度に、レベルを調整してください。

レベルの設定が終わったら、リスニング・ポジションに座ります。

レベルの設定方法につきましては、お使いのデコーダーの取扱説明書をご覧ください。

## 2チャンネル・ステレオ

トゥイーターの位置が、おおよそ耳の高さとなるよう設置してください。

ご参考までに：(図6)

- 聴取位置を中心として、二等辺三角形のコーナーとなる位置に、それぞれのスピーカーを置きます。
- 左右チャンネルの分離間を確保するために、2本のスピーカーの間隔を少なくとも1.5メートルとります。

音像の中心がぼやけている場合は、二つのスピーカーを近づけたり、聴取者の正面を向くように内側へ振ってみます。(図7)

## 微調整

微調整を始める前に、システム全体の接続が正しく行われているかどうか、改めてチェックします。

高域が強すぎると感じられる場合は、部屋の中に柔らかな素材を置いてください(例えばカーテンを厚手にする)。逆に高域が弱いようなら、柔かい素材を減らします。

両手を叩いて部屋の反響を確かめてみてください。本棚や大きな家具などを置き、室内の平行面を減らすことによって、この反響音は減じることができず。

音の細部をより深く聴取するために、ウーファーとミッドレンジのグリルは取り外せます。「アフターケア」の項を参照ください。トゥイーターは極めてデリケートであるため、保護用グリルは外さないでください。トゥイーター・グリルリ

ングは、ユニットに対し最良の音響空間を形成するように設計されており、このグリルを外しますと、レスポンスの滑らかさが損なわれます。

## ならし演奏時間

使用を始めてしばらくのあいだは、スピーカーの音質が微妙に変化することがあります。スピーカーが気温の低い場所に置かれていた場合、各ドライバー・ユニットのダンピング材とスぺンション部品が正しい機械特性を回復するのに、若干の時間がかかることがあります。スピーカーが本来の性能を発揮するまでに要する時間は、その製品が、それまでどこに保管されていたか、そしてどのように使用されるかによって、異なります。ひとつの目安として、気温の影響が安定するまでに最大1週間、機械部品が本来の設計特性を回復するまでに通常使用で合計60時間を、見込んでください。

## ブラケットの組み立ておよび固定

壁取付用のネジやプラグは含まれていません。ネジ本体の直径が最大5.0mm、ネジ頭部の直径が最大11mmの丸ネジをご使用ください。

スピーカーキャビネットの下がける位置から150mm上の位置で、水平に44mm離して、壁にドリルで穴をふたつあけ、プラグを入れます。(図8a)特に、浮いている壁のバネに固定する場合は、ネジやプラグがスピーカーとブラケットを合わせた重さに耐えるように、特別に注意してください。壁の表面からネジが16mm出るようにネジを入れてください。(図8b)

M5のネジ4本と4mm六角レンチを使って、壁用板にサポート用の板を組み込んでください。(図9a)

6mm六角レンチを使って、サポート板の通し目にM8のネジを通し、ケースの下のパネルにあるネジ穴まで通るようにネジを締めてください。(図9b) 鍵穴の穴が明確に分かるように、最初は壁板から一番離れている端からネジ位置を決めてください。

ケーブルをスピーカーに接続し、壁のネジに壁板を掛けてください。

スピーカーをできるだけ壁に近づけ、回転の角度と釣り合わせるようにしてください。

## ご注意

- 不適切な取り付けによるスピーカー落下事故につきましては、弊社は一切の責任を負いません。

## 周辺装置

本製品クラスのスピーカーには、質の高い入力ソースが値します。周辺装置と接続ケーブル類は、慎重に選択してください。周辺装置を選ぶ際のガイドラインを以下に示しますが、特定の製品の推薦は不可能です。このクラスの高級機は、常に改良を続けられていますので、販売店で最新製品を試聴してください。

本製品の仕様の中に、推奨パワーアンプの幅が示されています。高い値は、スピーカーのパワー・ハンドリング能力によって規定されたものです。パワー・ハンドリングの算出は、パワーアンプがクリッピングを起こさないことを前提としています。この場合のクリッピングとは、通常の音楽信号である電気信号に含まれる周波数成分に歪みを起こすことを意味し、発振器などからのテスト・トーンは適用していません。低い値は、比較的小さな部屋(50m<sup>2</sup>)で、聴取可能な歪みに十分な音楽鑑賞をするのに必要と、わたしたちが判断した最小値です。出力が大きければ大きいほど、パワーアンプのクリッピングが発生する可能性は低くなります。スピーカーをドライブするパワーアンプの適性は、そのアンプの4Ωと8Ω負荷における出力値を見て、判断可能なことがよくあり

ます。その比率が2対1に近ければ近いほど、良好な電流供給能力を示しているからです。

スピーカーの周波数特性に対するケーブルの影響を、聴取不可能なレベルにまで減じるために、全周波数帯域におけるケーブルのインピーダンス(直列でプラスとマイナス両方の導線を測定したものは、低い方が望ましく、少なくとも0.1Ω未満が必要とされます。低い周波数では、ケーブルのDC抵抗が大きな影響を与えますので、使用する必要長に対して基準インピーダンスを確保するのに充分な太さのものを選ぶ必要があります。中・高域では、インピーダンス誘導成分が、抵抗値を決定づけます。ケーブル構造の細部によって影響を受けるこうした諸特性は、重要です。最適なケーブルの選択にあたっては、お買い求めの販売店にご相談ください。

## アフターケア

キャビネットの表面は、通常ほこりを払うだけで充分です。スプレー式のクリーナーを使う場合は、まず、グリルをキャビネットからそっと取り外します。クリーナーは、クリーニング・クロスにスプレーしてください。キャビネットには、直接スプレーしないでください。グリルのクロスは、グリルがキャビネットから取り外されている状態で、通常の洋服用ブラシでクリーニングしてください。

ドライバー・ユニットの振動面、特にトゥイーターには、絶対に触らないでください。損傷する恐れがあります。

# 中文

## 有限擔保

尊敬的顧客

歡迎選購 B&W 產品。

本產品的設計和製造滿足最高的質量標準。但是，如果本產品確實出現了問題，不論在由正式的 B&W 銷售商服務的任何國家，B&W Loudspeakers 和它的國內銷售商都將保證提供免費更換部件。

該有限擔保的有效期為自購買日起 5 年，或對包括揚聲器在內的電子設備有效期為 2 年。

### 條款

- 1 該擔保僅限於設備的修理。它不包括產品的運輸和任何其他費用，也不擔保任何由於產品的搬動、運輸和安裝引起的風險。
- 2 該擔保只對原有者有效。不可轉讓。
- 3 該擔保僅適用於由在購買時存在的材料和/或做工缺損所引起的故障，它不適用於：
  - a 由於不正確的安裝、連接和包裝造成的損壞；
  - b 由於沒有按照用戶說明書里闡述的正確使用方法使用、粗心大意、改裝、或使用未經 B&W 認可的部件而造成的損壞；
  - c 由於不完善的或不適合的輔助設備造成的損壞；
  - d 由於事故、閃電、水、火、熱、戰爭、公共騷亂或任何其他在 B&W 和它指定的銷售商們的合理控制之外的原因造成的損壞；
  - e 序號被更改、擦塗、去除或使無法辨認的產品；
  - f 如果經非指定人員修理或改裝過；
- 4 該擔保是對銷售商或國內批發商的任何國家/地區的法律責任的補充，它不影響你作為顧客的法定權利。

### 如何要求擔保維修

如果需要服務，請按下列步驟進行：

- 1 如果設備是在購買的國家使用，你應當與 B&W 所指定的銷售了該設備的銷售商聯繫。
- 2 如果設備是在購買的國家以外使用，你應當與居住國的 B&W 國內銷售商聯繫，它們會告訴你那里可以修理設備。你可以打電話給英國的 B&W 或訪問我們的網站來獲取你們當地銷售商的聯繫詳情。

為使你的擔保生效，你需要在購買的當天填好這個擔保手冊，并由銷售商蓋章。或者，你需要有原始發票或具有所有權和購買日期的其他憑證。

# 用戶說明書

## 簡介

謝謝您選購了 Bowers and Wilkins 產品。

您的 Signature™ 系列揚聲器是一對精密的轉換器，它結合了許多由 B&W 獨特研發的革新式科技能使錄音之再生達到最高水準。為能使它們有最完美的表現，您必需花費時間用心於裝置過程。尤其是，您需將聽音室認定是為揚聲器的延伸。聽音室的音響特性對於最後的聲音品質有著深厚的影響。

Signature™ SCM 是一個薄而淺型的揚聲器設計來架設於牆上，主要用來結合其他 Signature™ 系列揚聲器作為環繞聲道。然而，只要注意下文對於磁性屏蔽的說明，在任何需要薄型揚聲器的位置皆可用上它。

B&W 在全世界擁有 60 個以上國家的代理商網。如果您有任何問題經銷商無法為您處理，請聯絡當地代理商。

## 開箱 (圖 1)

- 將紙箱蓋打開反摺，然後將紙箱連同內裝物一起倒置。
- 舉起紙箱使內裝物品現出。
- 自產品周邊把箱內包裝材料移走。

我們建議您保留包裝箱及材料以供日後使用。

檢查紙箱內是否附有：

- 2 條端子連接線
- 1 塊清潔用布
- 保證書
- 1 片銘質唱片
- 1 片銘質支承片
- 1 只包含以下各項的膠袋：
  - 4 個 M5 底座螺絲
  - 1 個 M8 底座螺絲
  - 3mm 六角螺絲扳手
  - 6mm 六角螺絲扳手

## 連接

進行連接之前應先將系統中所有器材關機。

揚聲器背部有兩組端子可做為雙線連接之用。下部的一組饋予低一中音單體而上部的一組饋予高音。

端子是絕緣的以避免任何可能的電擊，即使揚聲器是與最大功率的擴大機一起使用；這些端子可容納多樣性的線材接頭型式以適合大多數用途。

雙線連接是較佳的連接法，它是使用分離的線材由擴大機連接至每一組端子。訊號通路的分離改良了低電平細節的清晰度並讓使用者得以將其線材型式的使用頻率範圍最佳化。(圖 2)

或許是在初次裝設之時，或是因為您不希望看到室內有很多線材因而而不想做雙線連接，此時請用廠方提供的短線材將兩個正極與兩個負極揚聲器端子連接在一起。(圖 3)

使用端子連接線時，請將薄片插入一端子側邊之溝槽內而將捲曲的插腳置入另一端子的側邊圓孔內。在插有捲曲插腳的端子上仍有足夠的空隙可置入來自擴大機的連接頭。

確定揚聲器上的每一個正極端子(紅色)連接至擴大機的正極輸出端子，而負極(黑色)接負極。不正確的連接會導致不良音像與低頻損失。

雙線連接之時，切勿使用端子連接線。特別注意極性的連接，因為不正確的連接也會經由低一中頻分音器而破壞頻率響應；如果連接線還放在位置上，則可能使擴大機的輸出端子短路而造成擴大機損壞。

## 擺位

在將架設支架固定到牆上之前，務請確定揚聲器是擺放在最理想的位置。

## 雜散磁場

揚聲器的驅動單體會產生雜散磁場由音箱透出。我們建議您把對磁性敏感的物品(例如電視機、電腦螢幕、電腦磁片、影音帶、刷卡磁片等等之類)與揚聲器保持 0.5 公尺以上的距離。

因此之故，唯有在使用投影式螢幕、電漿螢幕、或液晶螢幕時，Signature™ SCM 才適合被使用為中置揚聲器，因為這些螢幕不會受雜散磁場所影響。

## 使用於家庭劇院系統

### 做為環繞揚聲器

呈現環繞訊息的方式主要有兩種。較老的電影音軌其環繞訊息只錄製於一個聲道，它有一個非常環繞、全遮蔽式的呈現來自環繞揚聲器，但它極少對側邊與後部描繪準確的音像。較現代的 5.1 聲道對影片及音響兩者皆由分開的左與右環繞聲道錄製，它可傳達更準確的音像。然而，在側邊與後部的音像一般而言不似在前面得到的一樣準確。衝擊式聲響較傾向於朝著揚聲器衰沉，而持續的聲調則較容易在揚聲器之間定位。如果聆聽區域是在五支揚聲器之間的一個較大比例空間，則為所有聆聽者維持音像位置也是困難的。音像穩定性取決於在所有五支揚聲器之間取得正確的平衡，而且其“熱點”效應比起對兩聲道音響還更為明顯。

將此點謹記於心，你可否成功地再現製片人對環繞場的意向主要係決定於房間尺寸相關的內部制約——你能如何自由地把揚聲器定位在一個理想的位置以及你想迎合的是多大的一群聽眾。

對於位在聆聽位置時其環繞揚聲器之對應角度目前尚無企業標準，但大多數的錄音是以環繞揚聲器置於前面中央的 110° 與 130° 之間來製作。將揚聲器依此角度範圍之內靠牆放置，先

置於一個能使高音單體大約位於人耳高度的臨時支架上，這樣能讓你明瞭是否要將揚聲器置於側邊或是後部牆上。將揚聲器對向聆聽區域的中央。(圖 4) 牆壁支架能讓揚聲器水平旋轉最多至 45°。如果你是坐在高背椅聆聽，或是揚聲器聽起來有些朦朧，此時將揚聲器高度調高些可能較為有益。將之調高至人耳之上最大約 60 公分 (2 英尺) 之處應可得到滿意的結果。

將所有揚聲器定位後做初步試聽，使用多樣化的材料來試聽——5.1 聲道音響、動作片、以及小規模場景的影片——並試坐所有可能的聆聽位置。特別注意環境訊息以及音像的穩定性。

如果音像不令人滿意，例如在聆聽區域的最末端聲音變得太傾向一邊，或是你無法將揚聲器置於喜好的範圍內，可能你最好期望一個更擴散的音場，這樣可以在較難處理的情況給予較可接受的結果。試著改變揚聲器的角度使它不指向聆聽區域，將之高高置於人耳高度之上也應有益。(圖 5)

一旦找到最理想的位置時將揚聲器永久定位 (參看如下)。

### 做為前置中央聲道揚聲器

如果是使用投影式電視其螢幕為聲音可穿透式，請將揚聲器置於螢幕背後中央。或者將其直接置於螢幕之上或下，但看何者較靠近人耳水平位置。

### 做為前置左與右聲道揚聲器

將揚聲器分置於螢幕兩側，其與螢幕之距離為 0.5 公尺 (20 英寸) 至 1 公尺 (40 英寸)。

如果中央聲道揚聲器是置於聲音可穿透式螢幕之後，則將左與右揚聲器儘可能擺得與它等高。如果中央聲道揚聲器是在螢幕之上或下，左與右前置揚聲器的高度應介於中央聲道揚聲器的高度與螢幕中央之間。調整揚聲器的角度以得到最逼真且最穩定的音像。

為達到家庭劇院裝置時的最大臨場感，使揚聲器平衡並調整音像使與螢幕尺寸搭配是很重要的。使用較小螢幕時較實際之法是左與右揚聲器應比單純聽音響時更要靠近些。

調整三支前置揚聲器之音壓以便在聲音越過螢幕時能有更平滑的銜接。調整環繞揚聲器之音壓以便您的注意力不會被不當地吸引，除非在特殊效果時。

在決定最適當的音壓時應試坐所有適合聆聽的位置。

查看解碼器之說明書以便進一步得知如何設定音壓。

### 使用於兩聲道音響系統

揚聲器的擺放應使其高音單體大約是在人耳的水平位置。

以下可供基本參考：(圖 6)

- 將兩支揚聲器與聆聽區域的中心點大約定位於一個等邊三角形的三頂點上。

- 兩支揚聲器應保持至少 1.5 公尺的距離以維持左右立體聲分離。

如果中央音像較差，試著把兩支揚聲器稍稍相互移近些或是轉動擺設角度使較朝內使得它們朝向聆聽者或是正好在聆聽者之前。(圖 7)

### 微調

在進行微調之前請再次檢查系統中的所有連接正確且穩妥。

如果聲音過於刺耳，請增加室內柔軟陳設品的數量 (例如使用較厚的窗簾等等)；反之，如果聲音模糊而無生氣則得減少柔軟陳設品的數量。

空間發響的檢查可由擊掌後仔細傾聽其快速的回響來測之。藉由使用不規則外表形狀之物例如書櫃與大型傢俱可減少空間發響。

最好的聽音方式是把覆蓋著布的面網取下，取下之方法請參看“保養”章節。高音單體非常的精巧，其面網應保留在其位置上以做為保護之用。因此之故，留置面網所需之圓環經過特別設計使能為其單體提供最佳的音響環境，如將面網取下則使音響較不平整。

### 揚揚聲器期間

在剛開始聽音時期揚聲器的表現會微妙地改變。如果揚聲器是存放在一個寒冷環境，阻尼元件及驅動單體的懸邊材料需要花一些時間才能恢復其正確的材料特性。單體的懸邊在剛使用的幾個小時中也會放鬆。使揚聲器達到預期表現所需的時間依先前的存放情況以及它現在如何地使用而有不同。基本的指南是：給予最多一個星期的時間使適應週溫度效果而趨於安定，以及 15 個小時的平均使用時間以使機械部分達到設計時預期應有的特性。

### 支架之組裝及固定

用來將支架固定至牆壁的螺絲及柱塞並未附上。使用螺絲直徑最大至 5.0mm (0.2 英寸) 以及螺絲頭直徑最大至 11mm (0.4 英寸) 的圓頭螺絲即可。

在牆上鑽入兩孔並置入柱塞，一為離揚聲器音箱底緣之上 150mm (5.9 英寸) 之處，另一為其水平距離 44 mm (1.73 英寸) 之處。(圖 8a) 請特別小心，尤其應注意牆上的螺絲與柱塞是否能支撐揚聲器連同支架加起來的重量。置入螺絲於牆內，留下頭部 16mm (1/2 英寸) 的長度於牆表面。(圖 8b)

使用 4 個 M5 螺絲以及 4mm 六角螺絲扳手將支承片安裝於牆片上。(圖 9a)

使用 6mm 六角螺絲扳手將 M8 螺絲穿過支承片上的溝槽置入位於音箱底板上的螺紋座。(圖 9b) 先將螺絲定位在離牆片最遠的溝槽末端，以使孔溝槽清楚可見。

將線材連接至揚聲器上並把牆片鉤上牆內的螺絲。(圖 10)

相對於迴轉的角度，調整揚聲器使其儘量靠牆。

如果您需要調整此揚聲器的垂直角度，我們建議您使用 OmniMount 30.0 系列的壁掛支架來取代原廠所供應者。它可固定於揚聲器基座上額外的四個有螺紋嵌入物。

### 搭配器材

具有如此高性能的揚聲器值得使用最高品質的訊號源。請細心挑選您的電子器材以及訊號線材。在選擇搭配器材時我們可以指導您尋找何種器材，但無法推薦特定的機種。這些產品的標準一直在改良，您的經銷商應能介紹您各種合適的最新產品。

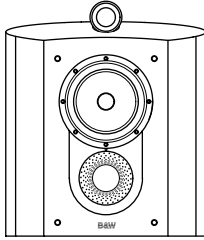
在規格表上我們建議了一個擴大機的功率範圍。較大的功率數代表揚聲器所能承受的最大功率。在計算承受功率時，應設定擴大機不會工作至產生削峰失真的狀態，因為這樣會扭曲訊號的頻率功率頻譜，此訊號是一般的音樂曲目，來自振盪器之類的測試音是不適用的。較小的功率數是我們認為必需的最小功率，以達到合理的聆聽電平而不會在較小的房間 (小於 50 立方公尺或 1800 立方英尺) 產生可聽到的失真。您所使用的擴大機功率越高，您就越不會經歷到擴大機削峰失真的狀態。通常您要分辨一台擴大機有多好是使它驅動複雜的揚聲器負載，然後看它 4 Ω 負載與 8 Ω 負載時的功率定額來判斷。兩者比率越接近 2:1 越好，因為這表示它有好的電流驅動力。

為了減低線材對於揚聲器之頻率響應的影響並使此影響降至不可聽聞，線材在所有頻率的阻抗 (正端導線與負端導線作串聯測量) 應儘可能地低而且必定得低於 0.1 Ω。在低頻時，線材的直流電阻是主要的支配因素，所以您應選擇您所使用的線材全長其規格足以達到此阻抗要求。在中頻及高頻時，阻抗的電感成分可支配直流電阻。這一點以及受到線材細微結構所影響的其他特性也都是很重要的。詢問您的經銷商有關您所需要的最佳線材。

### 保養

音箱表面通常僅需除塵。如欲採用噴霧清潔劑，應先輕柔地把面網自音箱上挪走。將清潔劑噴在乾淨的布上，不可直接噴在音箱上。挪下的面網可使用普通的牙刷來清潔面網布。

為免造成損傷，請勿碰觸驅動單體，尤其是高音單體。



## Signature SCM

Technical Features	<p>Nautilus™ tweeter          Kevlar® brand fibre cone bass/midrange          Matrix cabinet          Flowport          Bracket for on-wall mounting included</p>
Description	2-way vented-box system
Drive units	<p>1x ø25mm (1in) alloy dome high-frequency          1x ø165mm (6.5in) woven Kevlar® bass/midrange</p>
Frequency range	<p>-6dB at 50Hz and 50kHz          -3dB at 70Hz and 42kHz</p>
Frequency response	80Hz – 23kHz ±2dB on reference axis
Dispersion	<p>Within 2dB of response on reference axis          Horizontal: over 40° arc          Vertical: over 10° arc</p>
Sensitivity	89dB spl (2.83V, 1m)
Harmonic distortion	<p>2nd &amp; 3rd harmonics (90dB spl, 1m)          &lt;1.0% 100Hz – 20kHz          &lt;0.5% 200Hz – 18kHz</p>
Nominal impedance	8Ω (minimum 4.7Ω)
Crossover frequencies	4kHz
Power handling	50W –120W into 8Ω on unclipped material
Max. recommended cable impedance	0.1Ω
Dimensions	<p>Height: 437mm (17.2 in)          Width: 372mm (14.7 in)          Depth: 167mm (6.6 in) not including wall bracket</p>
Net Weight	8.0kg (17.6 lb)

## **B&W** Bowers & Wilkins

B&W Loudspeakers Ltd  
Dale Road  
Worthing West Sussex  
BN11 2BH England

T +44 (0) 1903 221800  
F +44 (0) 1903 221801  
info@bwspeakers.com  
www.bwspeakers.com

UK Sales Enquiries and Service  
T +44 1903 221 500  
E uksales@bwspeakers.com

B&W Loudspeakers of America  
T +1 978 664 2870  
E marketing@bwaudio.com

B&W Loudspeakers (Asia) Ltd  
T +852 2 790 8903  
E bwahome@bwspeakerasia.com.hk

Kevlar is a registered trademark of DuPont.  
Nautilus is a trademark of B&W Loudspeakers Ltd.  
Copyright © B&W Loudspeakers Ltd. E & OE  
Design by Thomas Manss & Company.  
Printed in Spain.