



See nothing, hear everything

The CCM 50 is a true high quality ceiling-mount speaker which is ideal for small systems where space is limited. The Ultra-12 tweeter features low diffraction effect dome protection. Ensuring clear high frequencies and a treble contour switch to cut or boost the high frequencies. The frame incorporates "Swing Out Dogs" for effortless installation.

Technical Specification

Technical features	Ultra-12 tweeter Woven Kevlar® cone mid/bass Swing-out dog fixings
Description	2-way in-ceiling speaker system
Drive units	1x ø25mm (1 in) Ultra-12 tweeter 1x ø130mm (5 in) woven Kevlar® cone mid/bass
Frequency range	-6dB at 50Hz and 22kHz
Frequency response	55Hz-20kHz ±3dB on reference axis
Sensitivity	88dB spl (2.83V, 1m)
Nominal impedance	8Ω (minimum 3.0Ω)
Crossover frequency	3.5kHz
Recommended amplifier power	20W - 100W continuous into 8Ω on unclipped programme
Frame size	Diameter: 201mm (7.9 in)
Cut-out size	Diameter: 175mm (6.9 in)
Min depth req	80mm (3.1 in) from ceiling surface
Net weight	1.5kg (3.4lb)
Finish	Semi-matt white suitable for customising or pre-painting (paint mask included)
Accessories	Pre-mount kit for new construction (PMK c50) Back Box - none available



CCM 50

Architectural and Engineering Specifications

The loudspeaker system shall be of the mono-amped 2-way type comprising of a single flush mountable circular enclosure containing one 5in bass-mid driver with Kevlar cone and one adjustable tilt, 1in Ultra 12 tweeter.

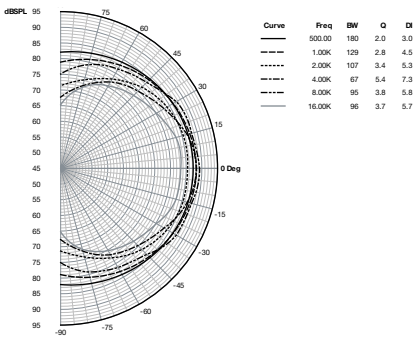
Performance specifications of a typical production unit shall meet or exceed the following:

Frequency response shall be 55 – 20kHz \pm 3dB. Nominal impedance shall be 8 Ohm. Total power handling shall be 100W continuous into 8 Ohm on unclipped programme. Sensitivity measured with 2.83V at 1-metre distance on axis, mean averaged between 55 – 22kHz shall be 88dB.

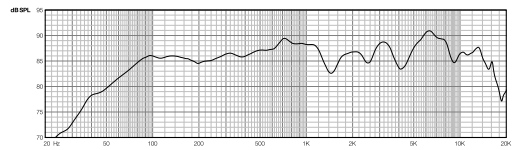
External dimensions shall be 201mm (7.9in) diameter x 80mm (3.1in) depth. Total weight shall be 1.5kg (3.4lb).

The loudspeaker system shall be the B&W CCM 50. No other system shall be acceptable unless the above combined performance are equalled or exceeded.

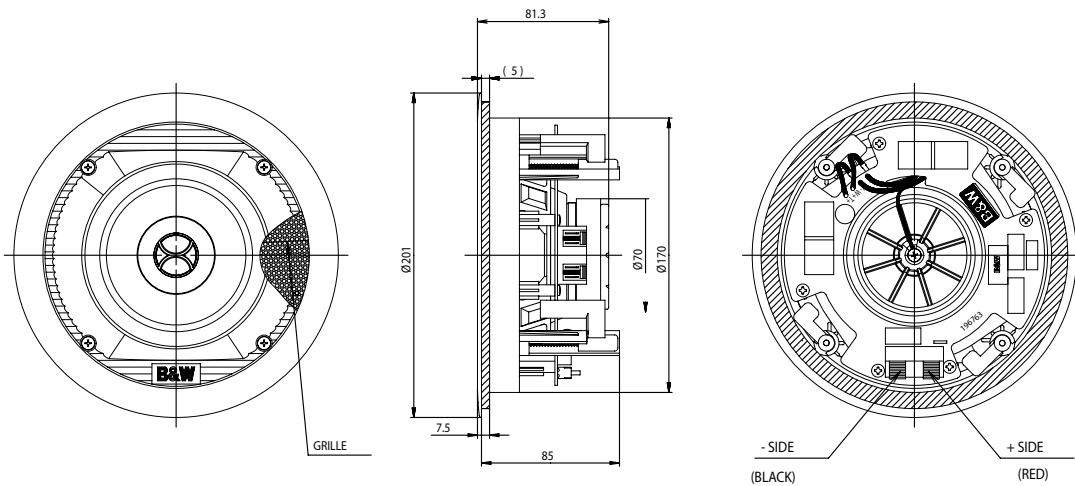
Polar Response



Frequency Response



Dimensions



Bowers & Wilkins

www.bowers-wilkins.com

Copyright © B&W Group Ltd. E & OE.
B&W Group Ltd reserves the right to amend details of the specifications without notice in line with technical developments.