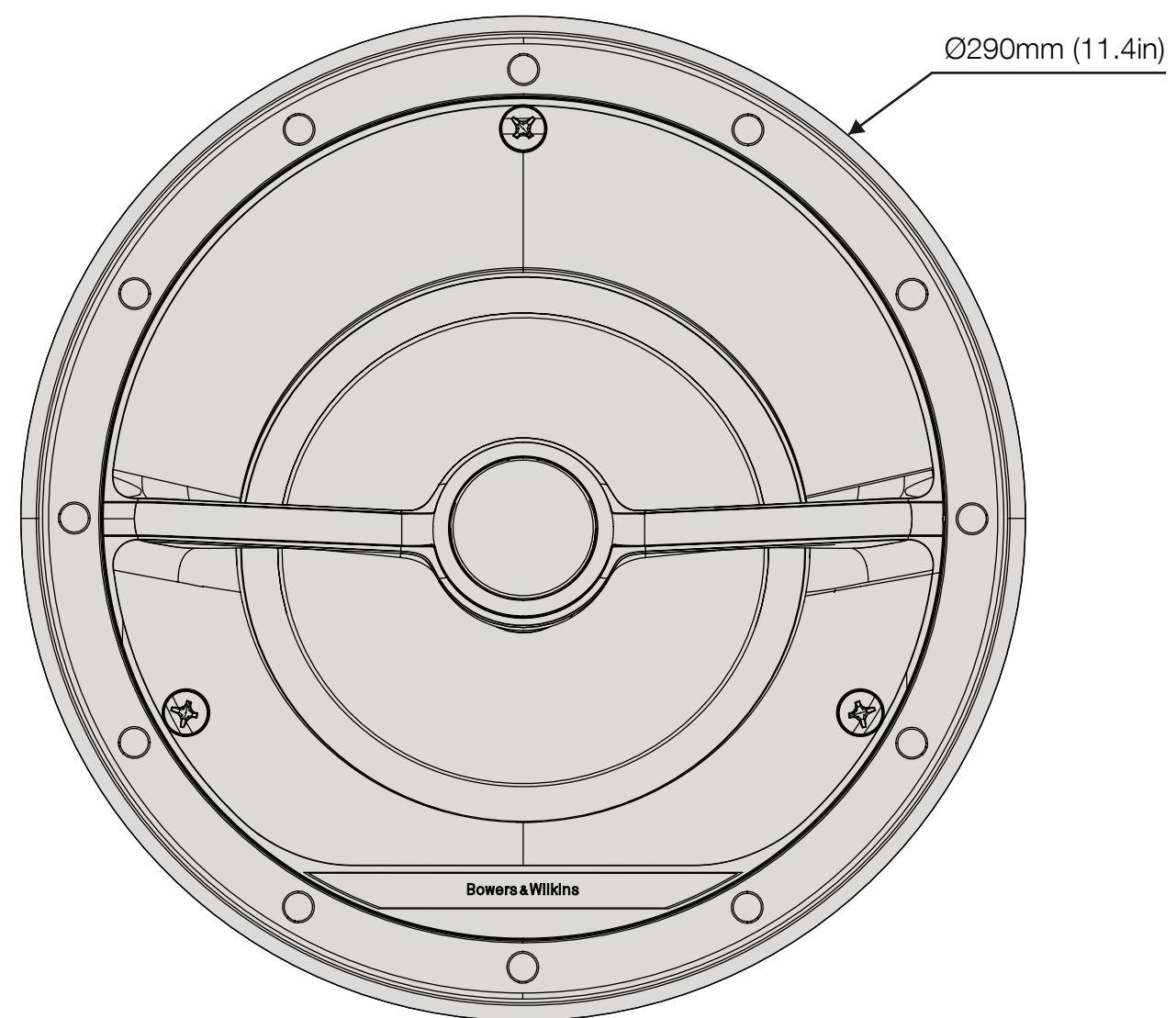
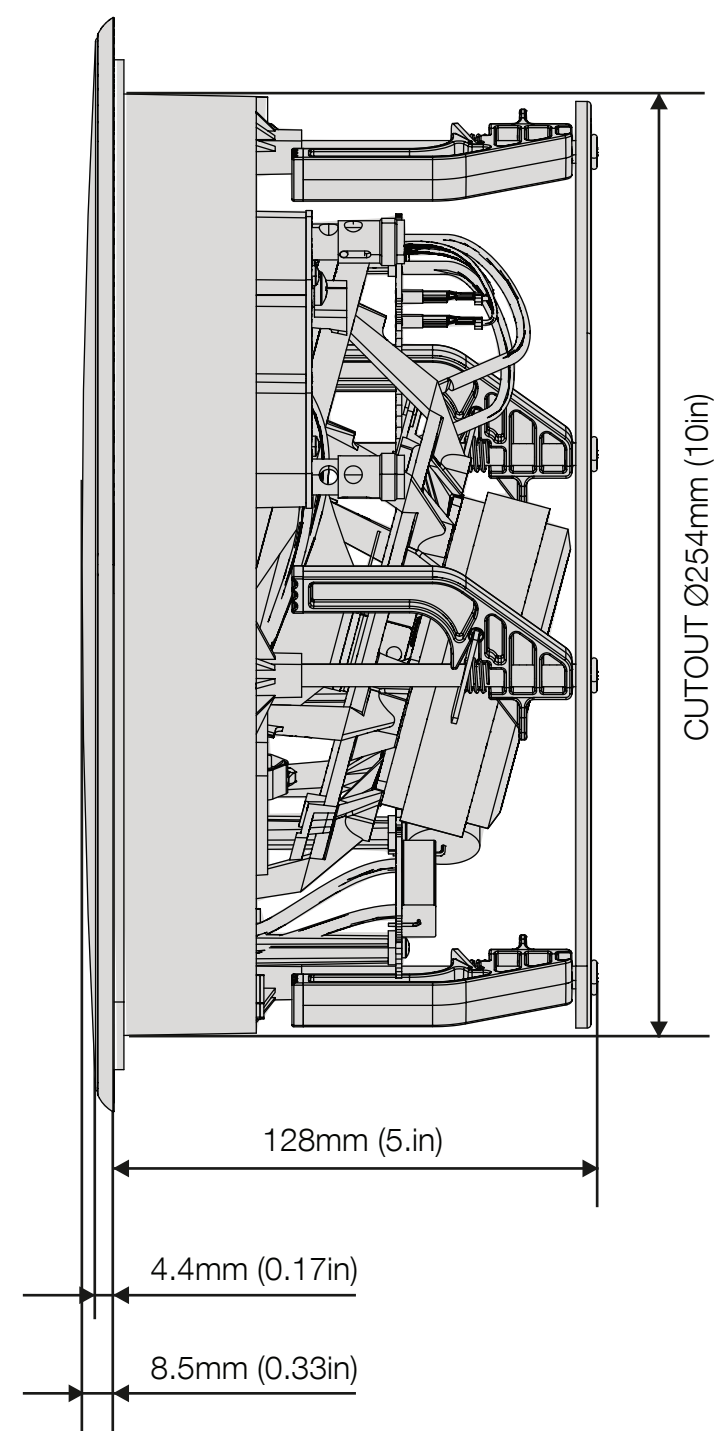


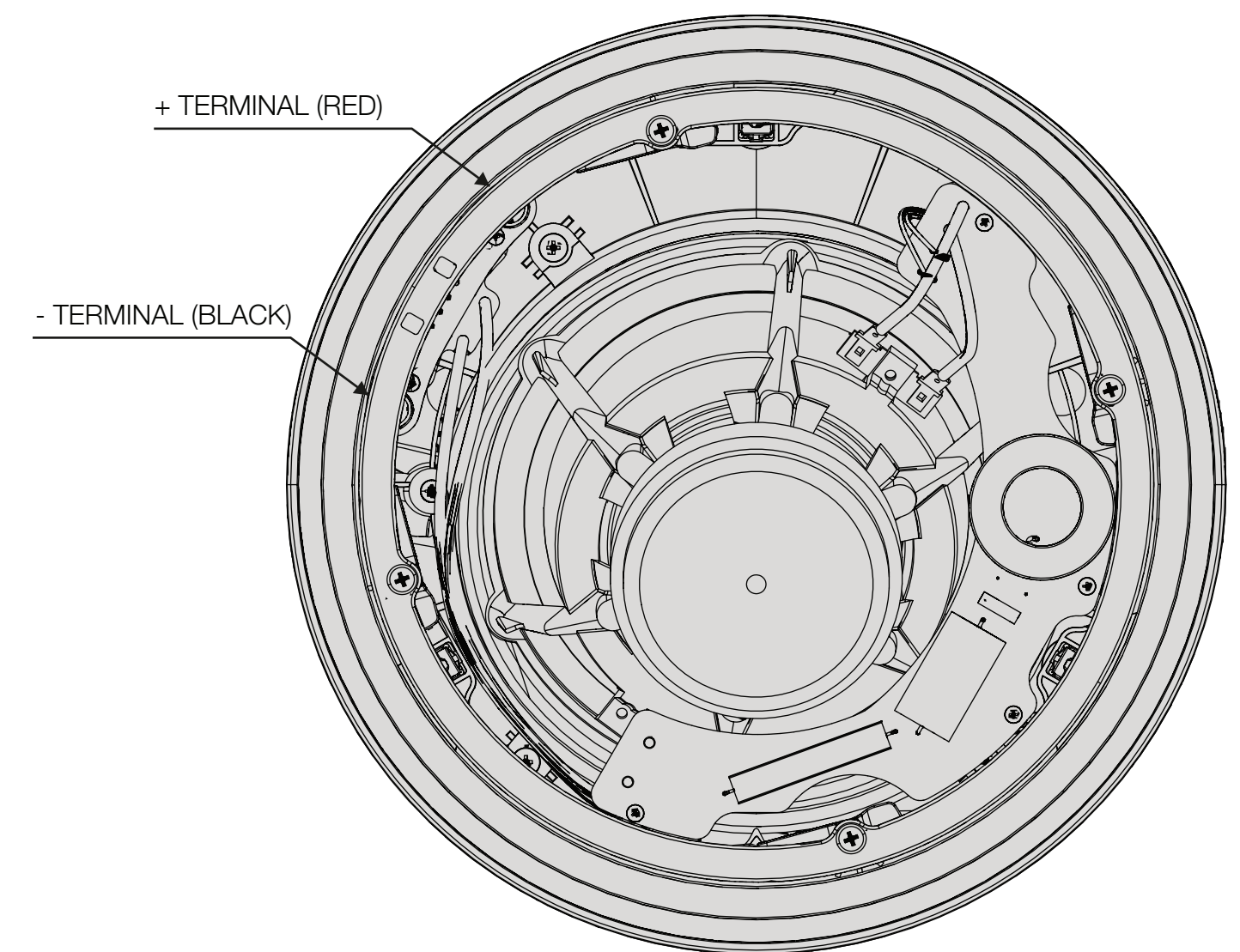
FRONT GRILLE OFF



SIDE GRILLE ON



BACK



FRONT GRILLE ON

