



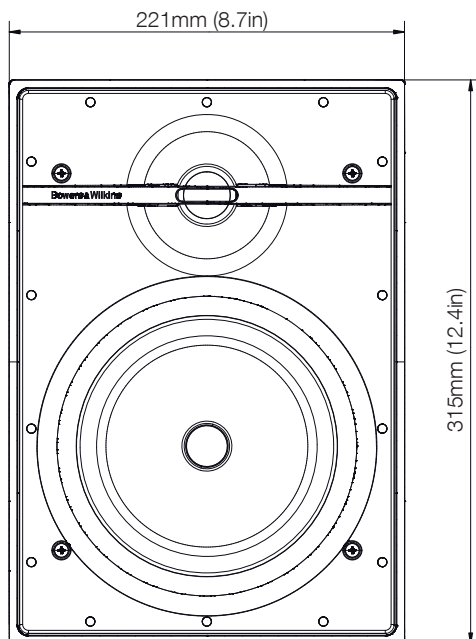
**Affordable, high-quality audio everywhere.**

Bowers & Wilkins CI300 Series speakers are designed to offer easy installation and high-quality audio reproduction for discreet custom install applications.

The CI300 Series provides a point of entry to areas of the home that were previously off-limits for high-quality installation loudspeakers.

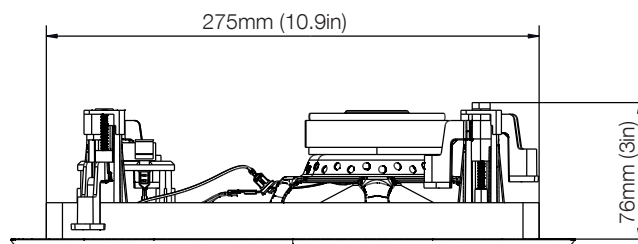
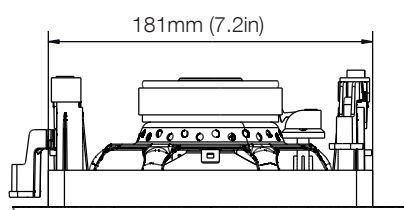
**CWM362**

The CWM362 is a two-way in-wall loudspeaker. Like the in-ceiling models in the series, it features an elegant minimal-width border design.



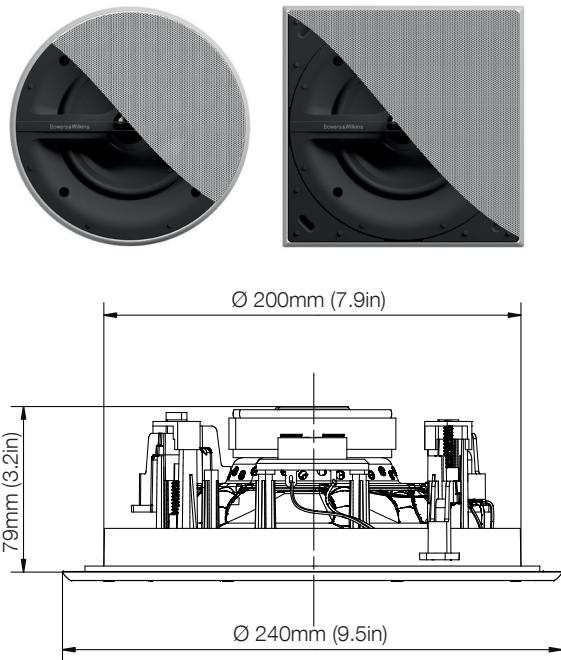
**CWM362 Technical Specifications**

<b>Description</b>	2-way in-wall system
<b>Drive Units</b>	1x 160mm (6in) Polypropylene cone bass/midrange 1x 25mm (1in) soft dome tweeter
<b>Frequency Range (-6dB)</b>	50Hz - 30kHz
<b>Sensitivity SPL (2.83V, 1m)</b>	89dB
<b>Impedance Nominal (min)</b>	8Ω (5.0Ω)
<b>Power Handling</b>	80W
<b>Pre-mount Kit</b>	PMK W6
<b>Back Box</b>	BB 6W



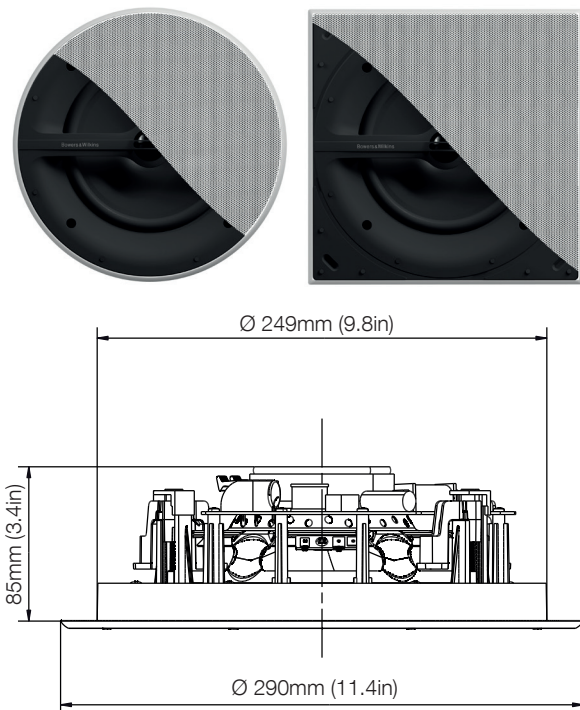
## CCM362 and CCM382

The coaxial CCM362 and CCM382 offer a choice of size dependent on the output level required. Both are balanced for wide-angle listening, commensurate with their in-ceiling placement, and both offer a choice of round or square aspect.



### CCM362 Technical Specifications

<b>Description</b>	2-way in-ceiling system
<b>Drive Units</b>	1x 160mm (6in) Polypropylene cone bass/midrange 1x 25mm (1in) soft dome tweeter
<b>Frequency Range (-6dB)</b>	50Hz - 30kHz
<b>Sensitivity SPL (2.83V, 1m)</b>	89dB
<b>Impedance Nominal (min)</b>	8Ω (5.0Ω)
<b>Power Handling</b>	80W
<b>Pre-mount Kit</b>	PMK C6
<b>Back Box</b>	BB 6C



### CCM382 Technical Specifications

<b>Description</b>	2-way in-ceiling system
<b>Drive Units</b>	1x 200mm (8in) Polypropylene cone bass/midrange 1x 25mm (1in) soft dome tweeter
<b>Frequency Range (-6dB)</b>	45Hz - 30kHz
<b>Sensitivity SPL (2.83V, 1m)</b>	90dB
<b>Impedance Nominal (min)</b>	8Ω (5.0Ω)
<b>Power Handling</b>	80W
<b>Pre-mount Kit</b>	PMK C8
<b>Back Box</b>	BB 6C

Bowers & Wilkins

[bowerswilkins.com](http://bowerswilkins.com)

Copyright © B&W Group Ltd.